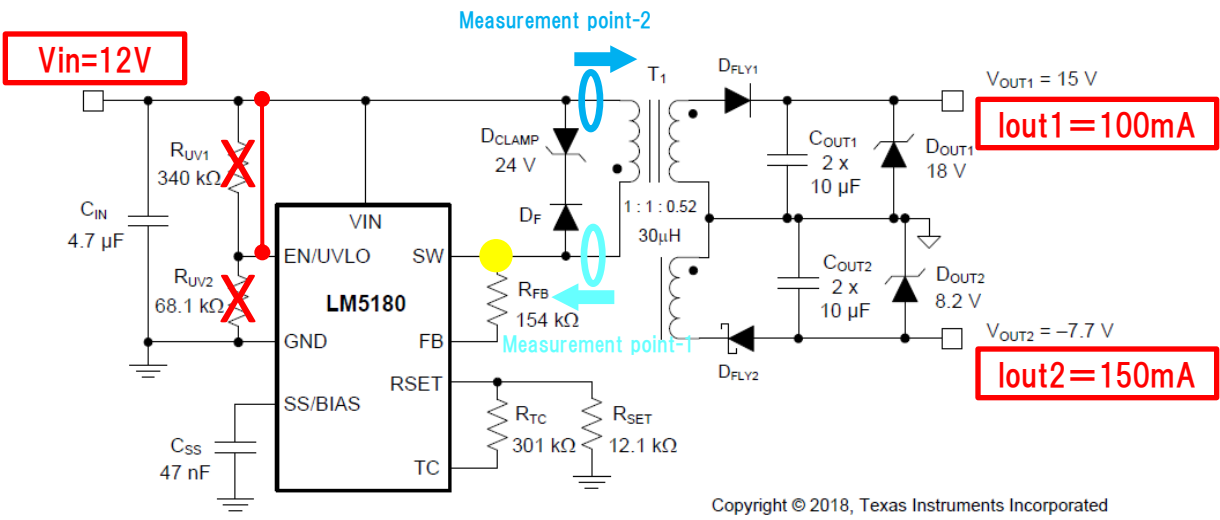
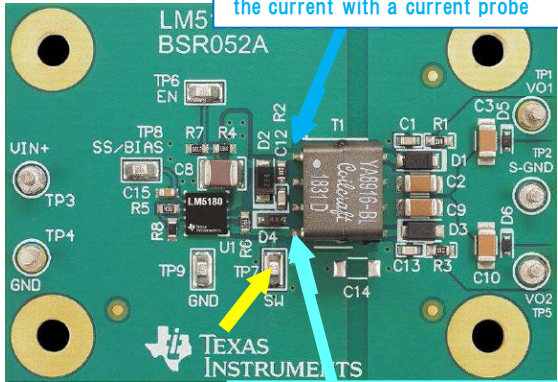


# ◆ LM5180: About correct measurement point at switching current

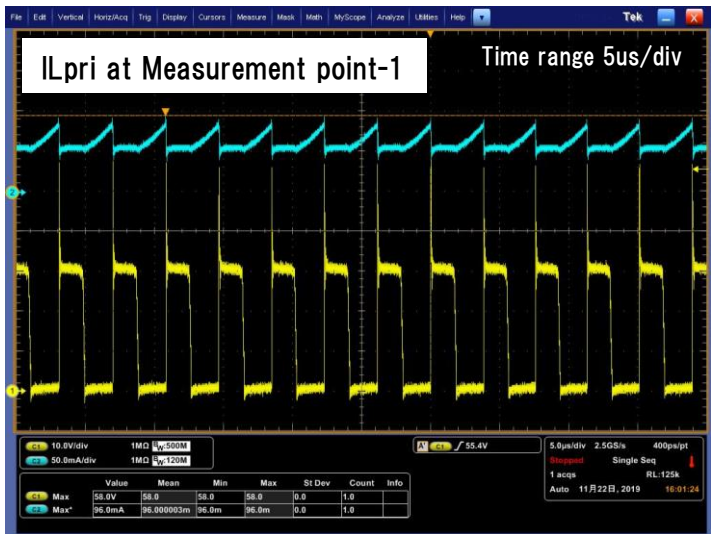


Measurement point-2: Lift this terminal of the transformer, connect the lead wire, and measure the current with a current probe



Measurement point-1: Lift this terminal of the transformer, connect the lead wire, and measure the current with a current probe

Copyright © 2018, Texas Instruments Incorporated



Even when the current waveform on the primary side is confirmed at measurement points 1 and 2 in the target condition of evm, the waveforms are different from each other.the different current waveforms were confirmed.

Why is the cause of the different current?(The waveform seems to be correct switching current waveform at primary side of transformer.)