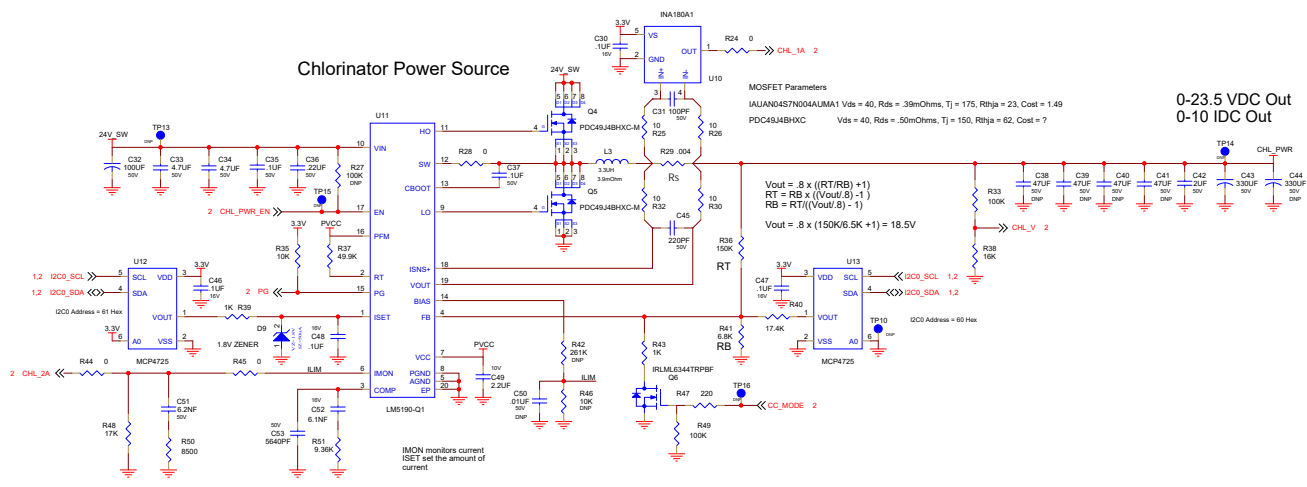


Chlorinator Power Source



MOSFET Parameters
 (IAUN4S7N004ALUMA1 Vds = 40, Rds = .39mOhms, Tj = 175, Rthja = 23, Cost = 1.49
 PDC49JMBHXC Vds = 40, Rds = .50mOhms, Tj = 150, Rthja = 62, Cost = ?

0-23.5 VDC Out
 0-10 IDC Out

$$V_{out} = 8 \times ((RT/RB) + 1)$$

$$RT = RB \times ((V_{out}/8) - 1)$$

$$RB = RT / ((V_{out}/8) - 1)$$

$$V_{out} = 8 \times (150/6.5K + 1) = 18.5V$$

IMON monitors current
 ISET sets the amount of current

ICCO Address = 61 Hex

ICCO Address = 60 Hex