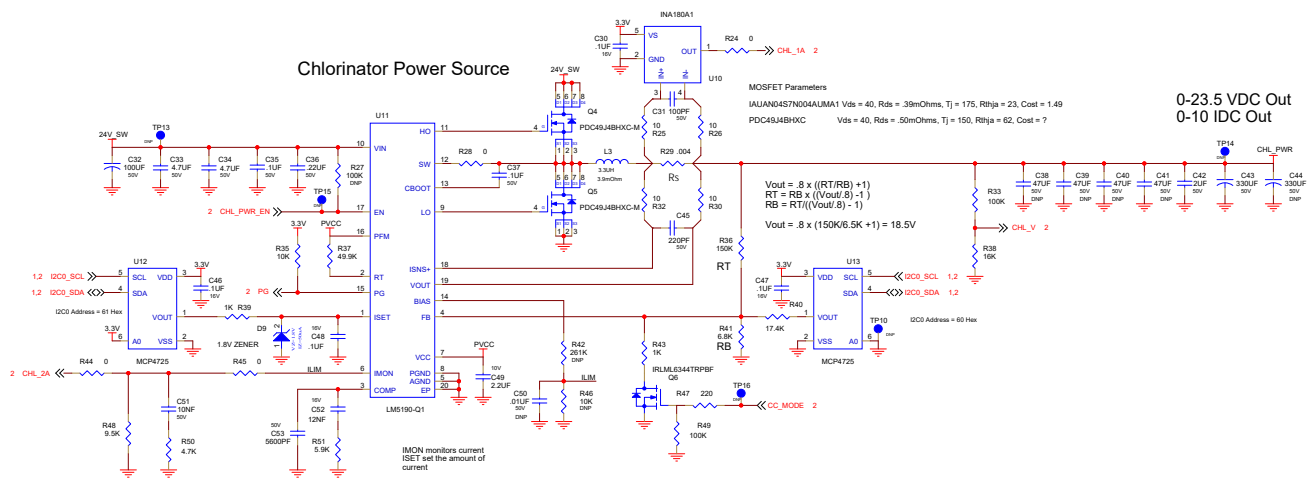


# Chlorinator Power Source



MOSFET Parameters  
 (IAUAN04S7N004ALUMA1 Vds = 40, Rds = .39mOhms, Tj = 175, Rthja = 23, Cost = 1.49  
 PDC49JMBHX Vds = 40, Rds = .50mOhms, Tj = 150, Rthja = 62, Cost = ?

0-23.5 VDC Out  
 0-10 IDC Out

$$V_{out} = 8 \times \left( \frac{RT}{RB} + 1 \right)$$

$$RT = RB \times \left( \frac{V_{out}}{8} - 1 \right)$$

$$RB = RT / \left( \frac{V_{out}}{8} - 1 \right)$$

$$V_{out} = 8 \times (150K/6.5K + 1) = 18.5V$$

IMON monitors current  
 ISET sets the amount of current

I2C Address = 61 Hex  
 I2C Address = 60 Hex

I2C Address = 61 Hex  
 I2C Address = 60 Hex