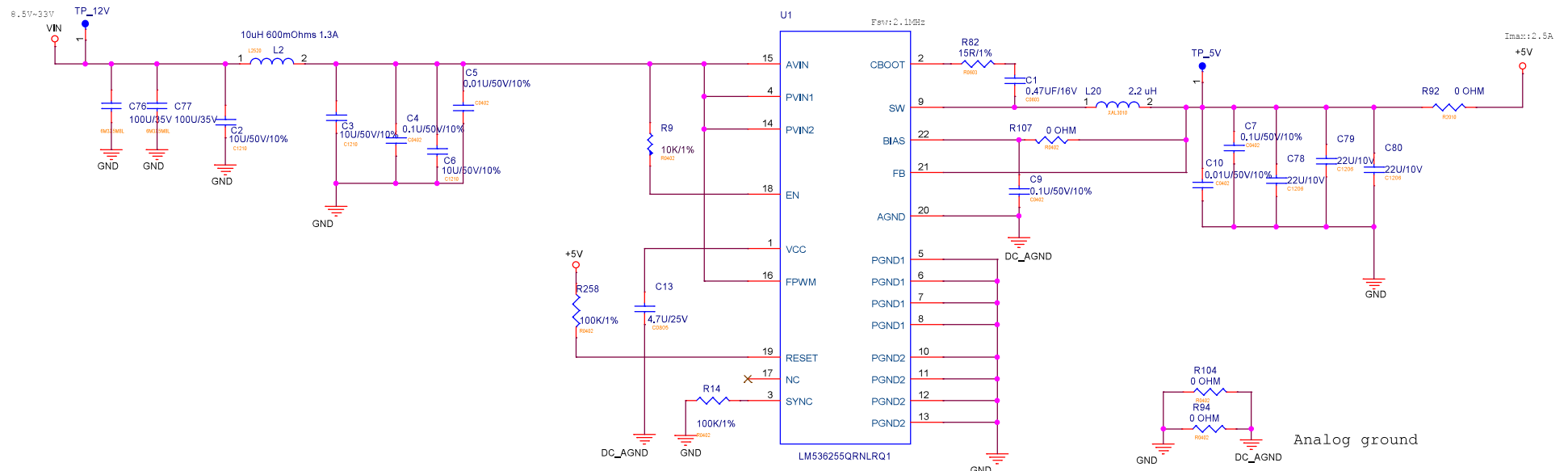
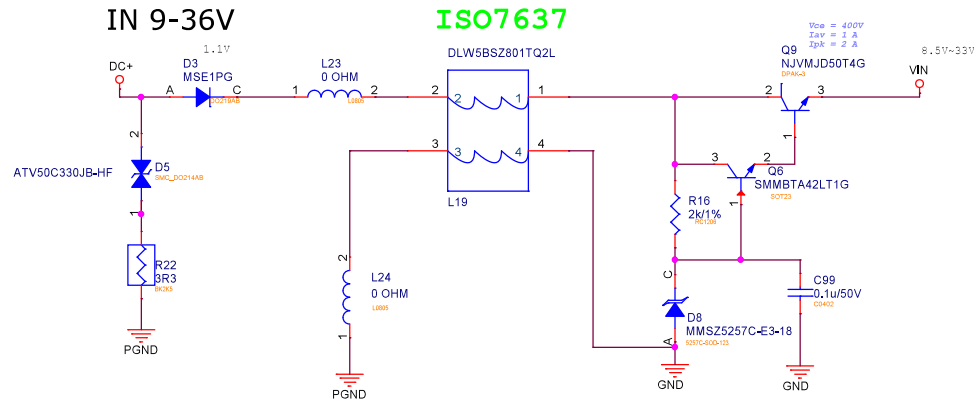


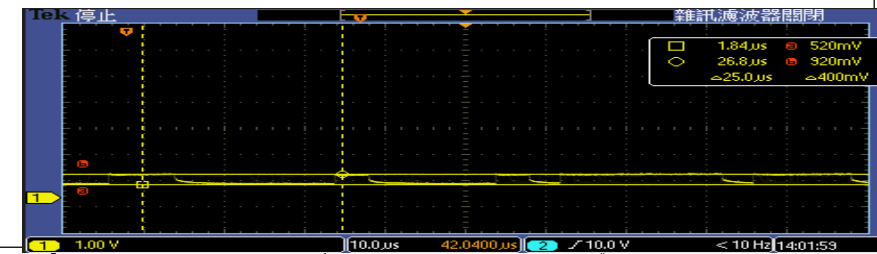
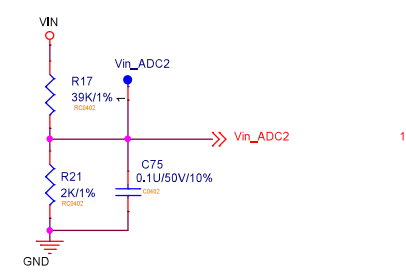
12V SUPPLY



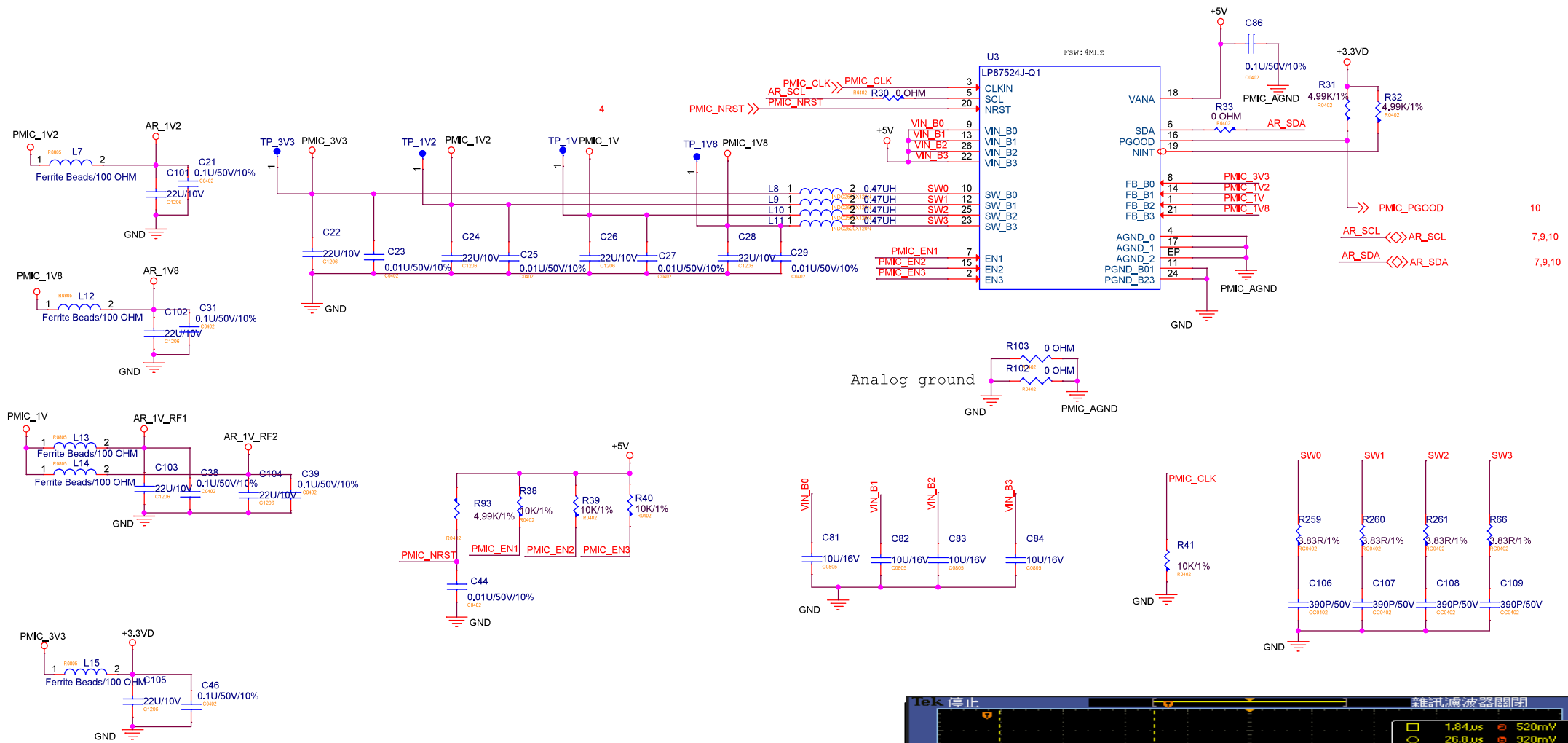
IN 9-36V



Vin monitor



PMIC (3V3, 1V8, 1V2, 1V)



Analog ground

