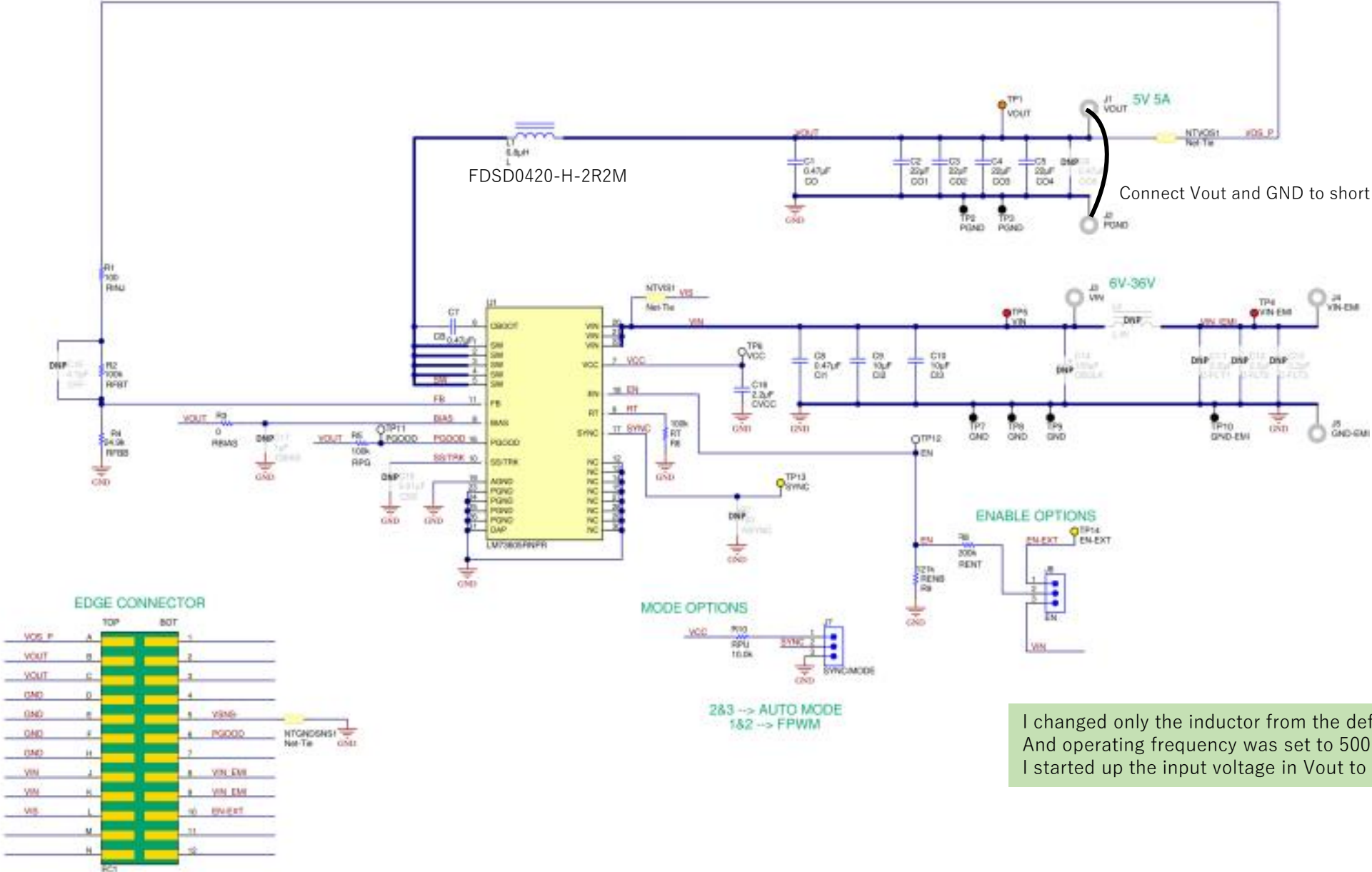


# Test circuit



I changed only the inductor from the default part. And operating frequency was set to 500kHz. I started up the input voltage in Vout to GND short condition.