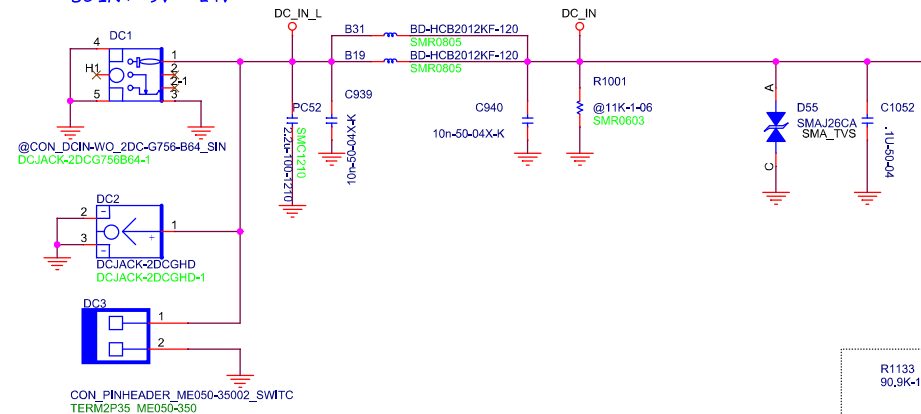


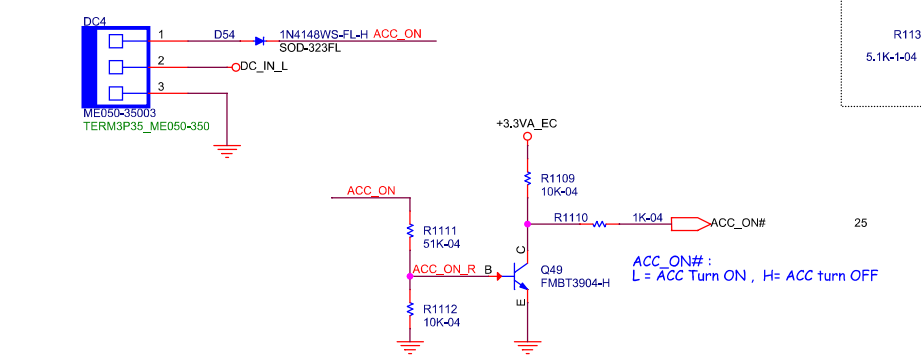
Reverse Input Voltage Blocking

18R-100120-0TS4
18-Bead, Bead, SMD, 120ohm, HCB2012KF-121T60, 6000mA, , 0805, TAI-TECH

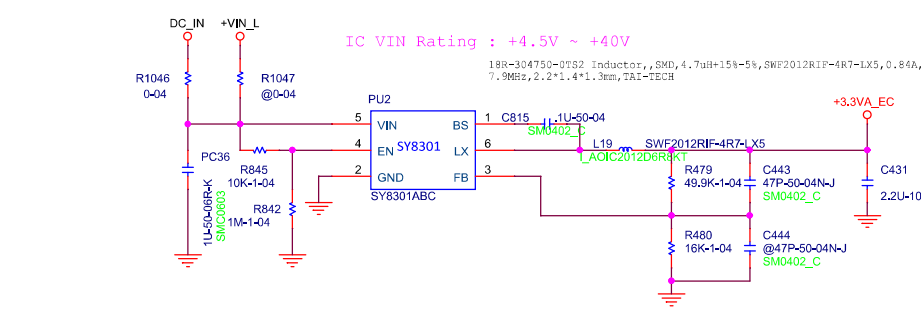
DC IN: +9V ~ +24V



DC3 & DC4 co-layout

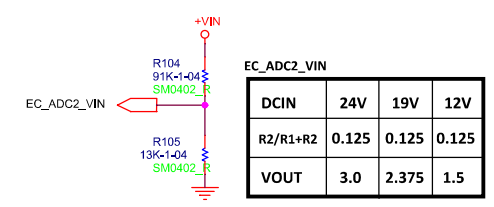


For Car ignition or Remote on



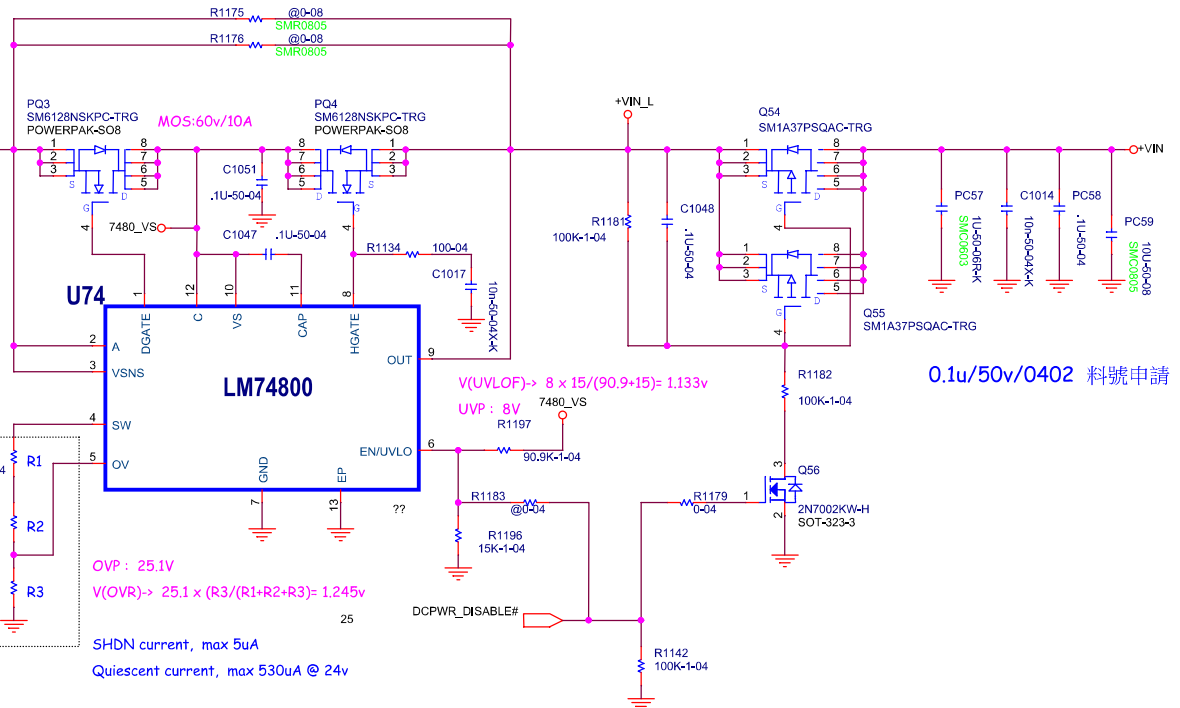
IC VIN Rating : +4.5V ~ +40V

18R-304750-0FS2 Inductor, SMD, 4.7uH±15%-5%, SWF2012RIF-4R7-LX5, 0.86A, 7.9mHz, 2.2±1.4*1.3mm, TAI-TECH



DCIN	24V	19V	12V
R2/R1+R2	0.125	0.125	0.125
VOUT	3.0	2.375	1.5

+12V Battery Low:
Battery voltage 11.6V--> EC_ADC2_VIN = 1.45V



U74
LM74800

OVP : 25.1V
V(OVR)-> 25.1 x (R3/(R1+R2+R3))= 1.245v

SHDN current, max 5uA
Quiescent current, max 530uA @ 24v

V(UVLOF)-> 8 x 15/(90.9+15)= 1.133v
UVP : 8V

0.1u/50v/0402 料號申請