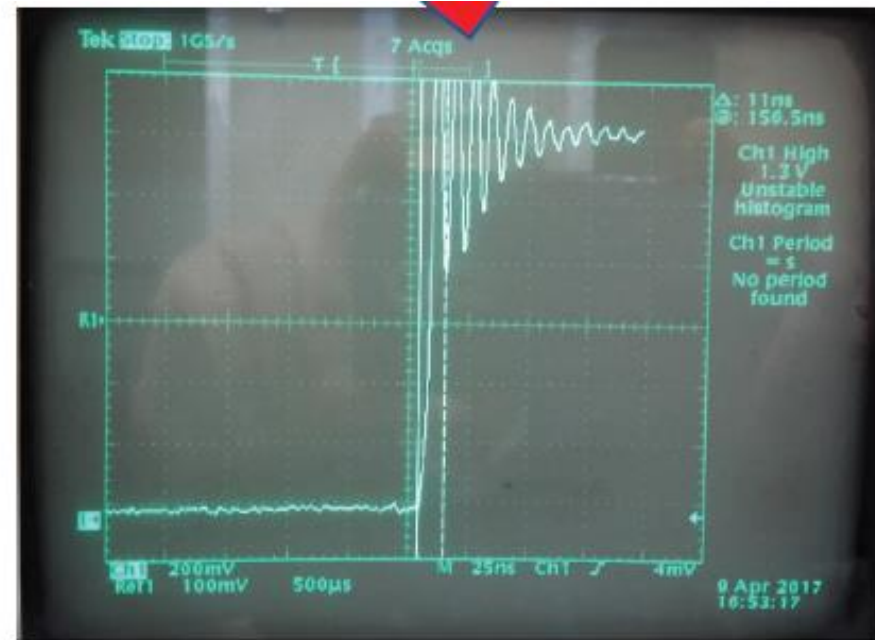


LMR14050-Q1 Interference issue

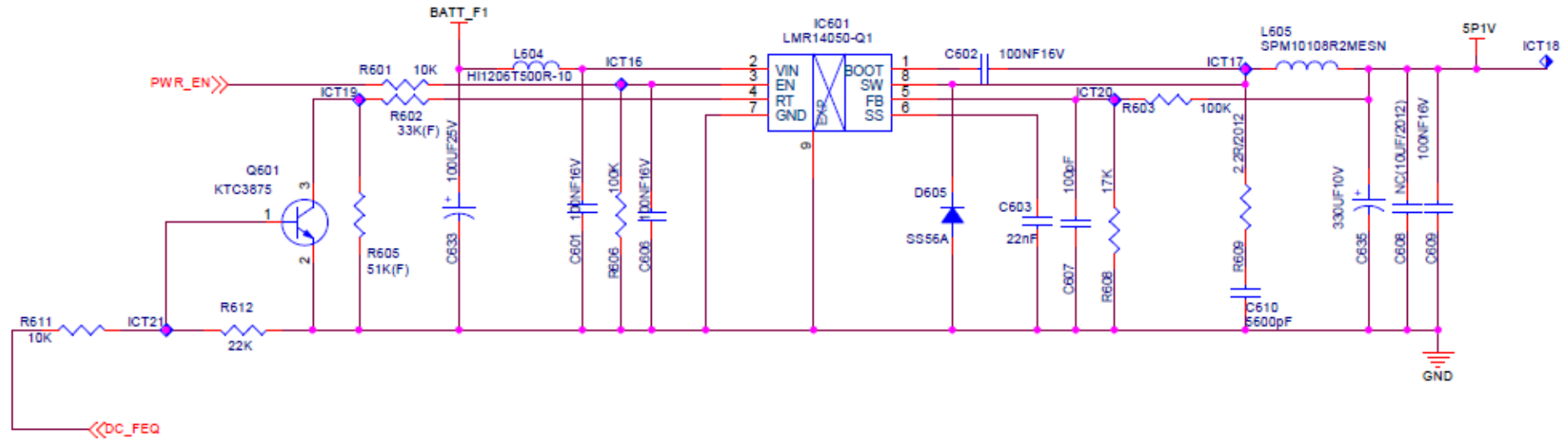
# Problem Description

- LMR14050-Q1 of TI (Current : 5A max)
  - Location No : IC601
  - Observed ringing, overshoot and undershoot at rising and falling edge
  - Especially FM reception sensitivity can not meet customer spec

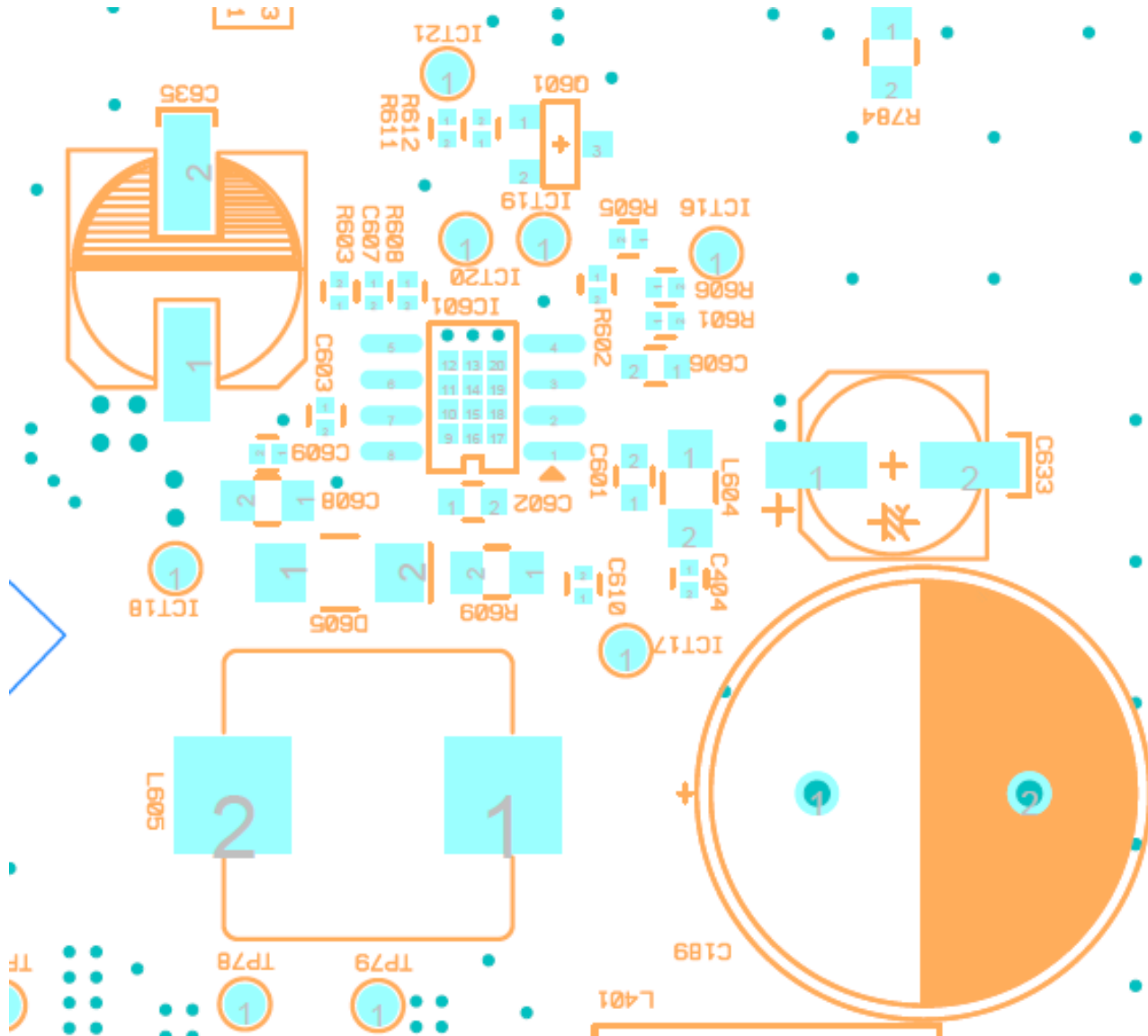
# Problem Description



# Schematic



# Layout



# Layout

