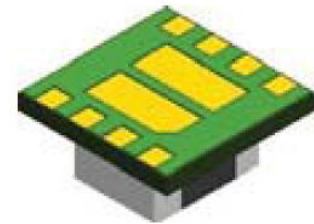


LMZ21701: 1A, 17V Nano2 Module

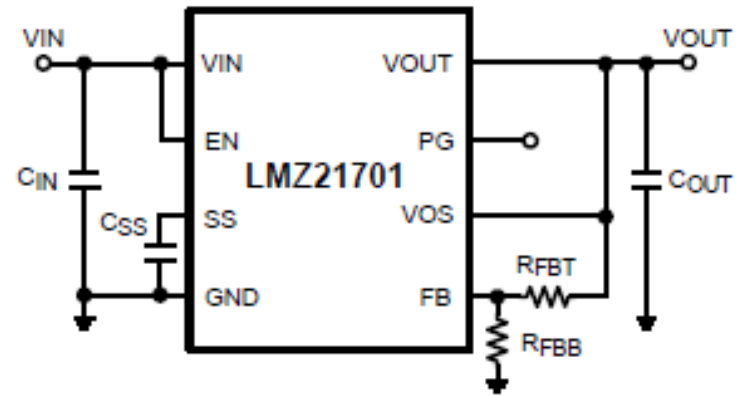
- **FEATURES**

- Integrated inductor
- Miniature 3.5mm x 3.5mm x 1.7mm package (8-pin DFN)
- -40°C to 125°C Tj range
- PGood flag function
- Adjustable output voltage
- Adjustable Soft Start Function
- 2.5 MHz Fixed PWM Switching Frequency
- Seamless Transition to Power-Save Mode
- Internal compensation
- Current limit, thermal shutdown, and UVLO protection



Minimum Solution Size

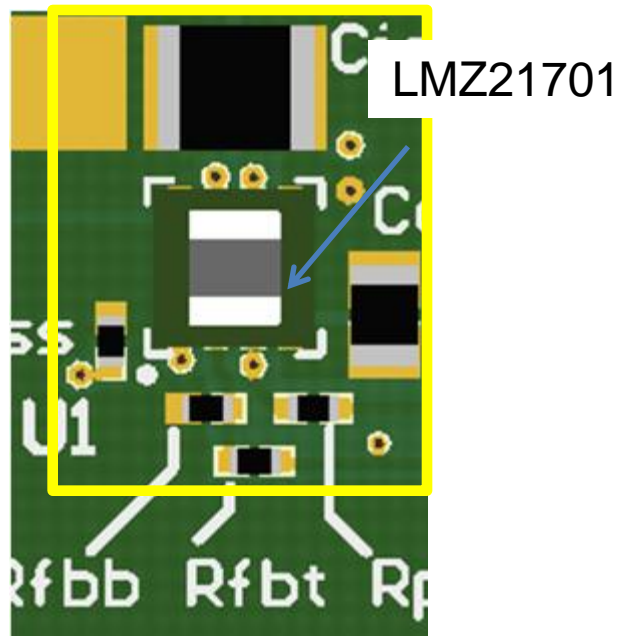
- **Option #1: < 70 mm²**
 - All components on top layer
 - 2-layer routing or more is possible
 - Power connections on top
- **Option #2: 39 mm²**
 - All components on top layer
 - 2-layer routing or more is possible
 - Power connections on top
- **Option #3: 42 mm²**
 - All components on top layer
 - TO-220 Retrofit
 - 2-layer routing or more is possible
 - Power connections on top



- **Further optimization**
 - Closer component-to-component clearance
 - Knowledge of customer's PCB stack

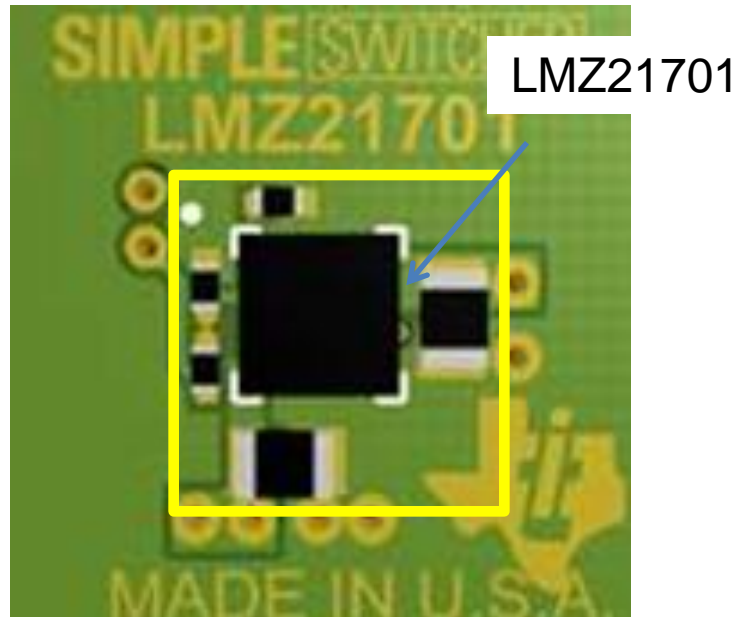
Option #1 – LMZ21701: $< 70 \text{ mm}^2$

- CIN = 1210 size, COUT = 0805 size, rest of passives = 0402 size



Option #2 – LMZ21701: 39 mm²

- CIN and COUT = 0805 size, rest of passives = 0402 size



Option #3 – LMZ21701: 42 mm²

- TO-220 Retrofit
- CIN and COUT = 0805 size, rest of passives = 0402 size

