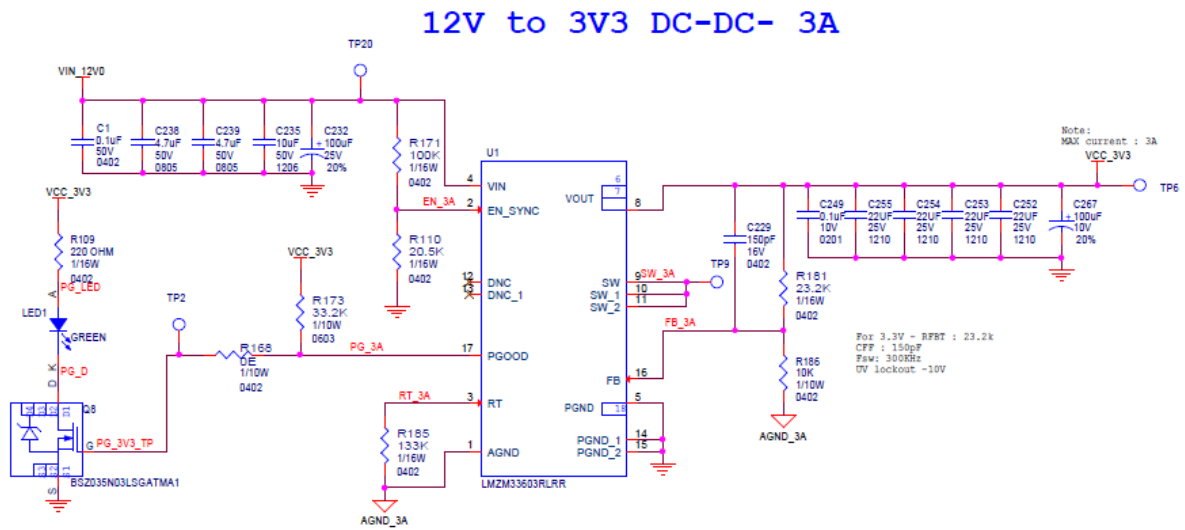


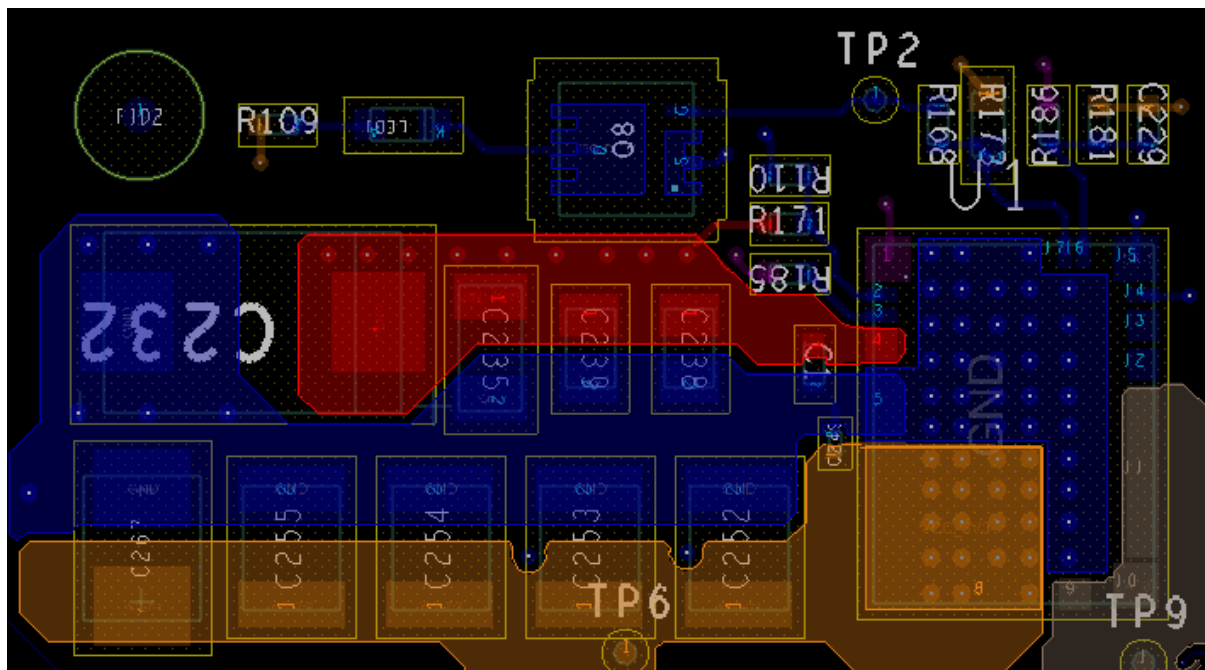
# LMZM33603RLRR

SCHEMATIC:



LAYOUT:

Layer 1:



Layer 1&2:

