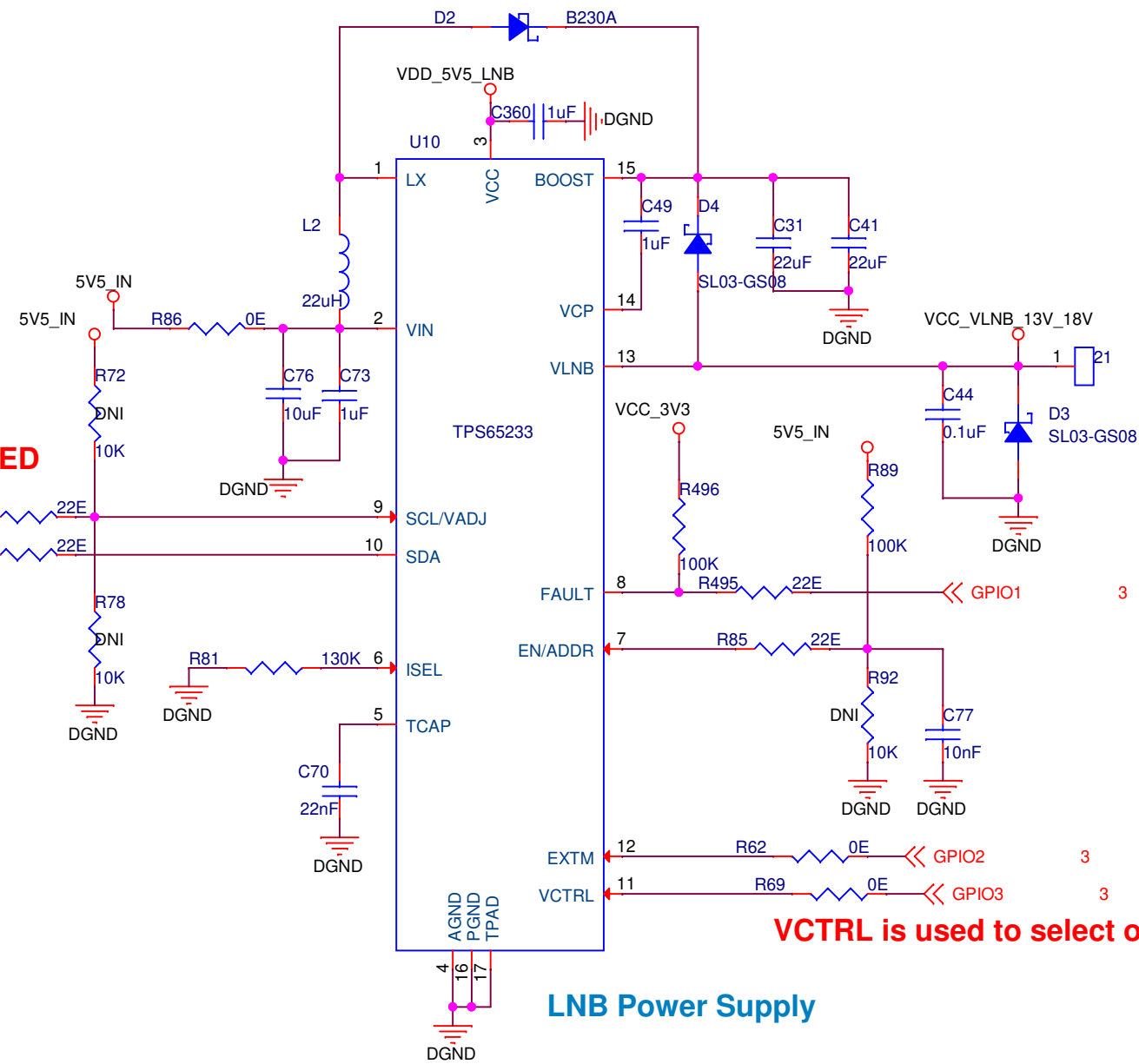


I2C IS NOT USED

3 SCL >>>
3 SDA >>>



VCTRL is used to select output voltage

Title <Title>		
Size A	Document Number <Doc>	Rev <Rev Co
Date:	Friday, February 12, 2021	Sheet 1 of 1