

PCB Number: LP036A
PCB Rev: A

PCB LOGO
Texas Instruments



PCB LOGO
FCC disclaimer

PCB LOGO
WEEE logo



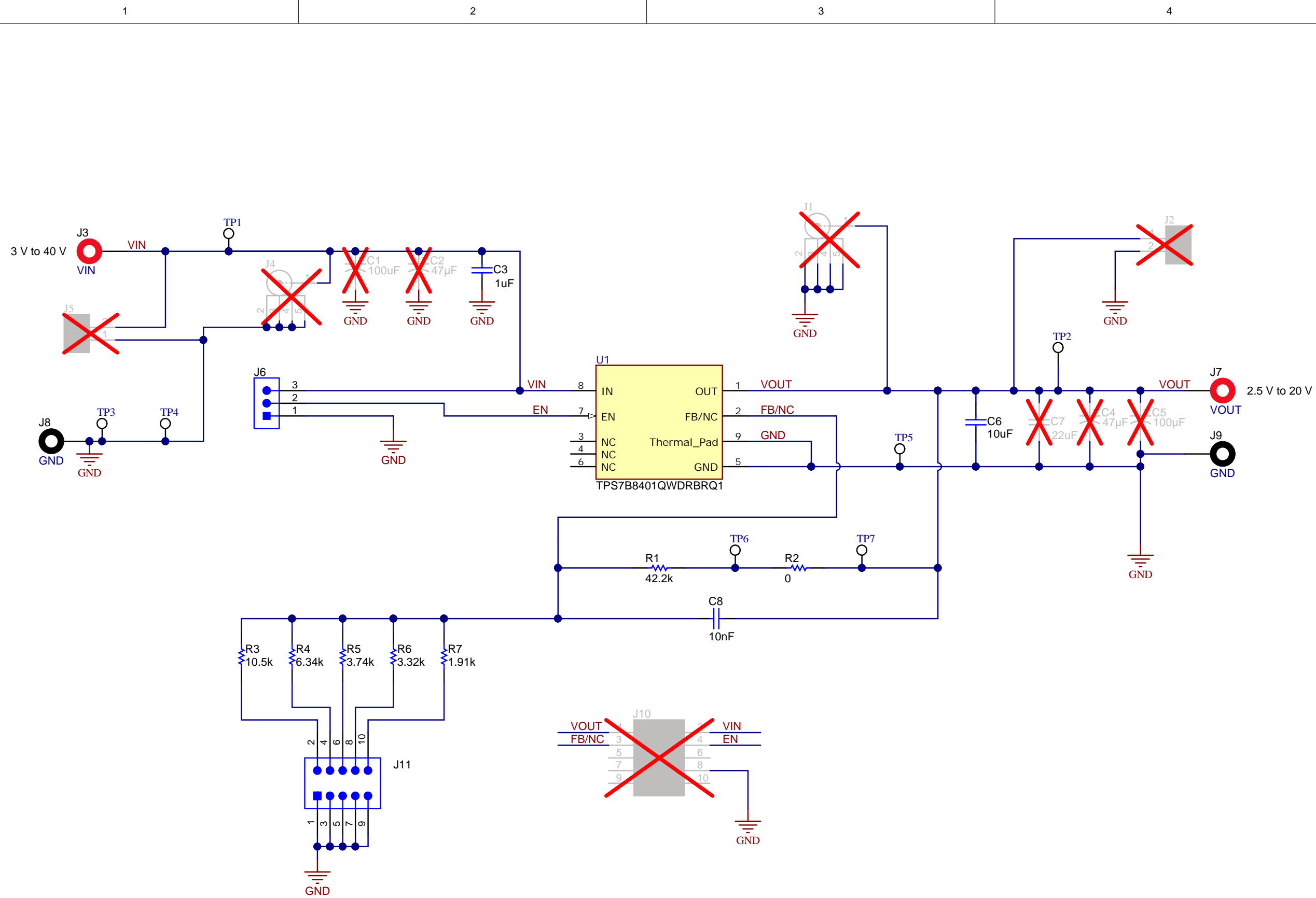
ZZ1
Assembly Note
These assemblies are ESD sensitive, ESD precautions shall be observed.

ZZ2
Assembly Note
These assemblies must be clean and free from flux and all contaminants. Use of no clean flux is not acceptable.

ZZ3
Assembly Note
These assemblies must comply with workmanship standards IPC-A-610 Class 2, unless otherwise specified.

Orderable: TPS7B8401EVM	Designed for: Public Release	Mod. Date: 1/21/2020	<p>TEXAS INSTRUMENTS http://www.ti.com © Texas Instruments 2019</p>
TID #: N/A	Project Title: TPS7B8401EVM		
Number: LP036A	Rev: A	Sheet Title:	
SVN Rev: Not in version control	Assembly Variant: 001	Sheet: 1 of 2	
Drawn By: Stephen Ziel	File: LP036A_Hardware.SchDoc	Size: B	
Engineer: Stephen Ziel	Contact: http://www.ti.com/support		

Texas Instruments and/or its licensors do not warrant the accuracy or completeness of this specification or any information contained therein. Texas Instruments and/or its licensors do not warrant that this design will meet the specifications, will be suitable for your application or fit for any particular purpose, or will operate in an implementation. Texas Instruments and/or its licensors do not warrant that the design is production worthy. You should completely validate and test your design implementation to confirm the system functionality for your application.



Texas Instruments and/or its licensors do not warrant the accuracy or completeness of this specification or any information contained therein. Texas Instruments and/or its licensors do not warrant that this design will meet the specifications, will be suitable for your application or fit for any particular purpose, or will operate in an implementation. Texas Instruments and/or its licensors do not warrant that the design is production worthy. You should completely validate and test your design implementation to confirm the system functionality for your application.

Orderable: TPS7B8401EVM	Designed for: Public Release	Mod. Date: 1/27/2020
TID #: N/A	Project Title: TPS7B8401EVM	
Number: LP036A	Rev: A	Sheet: 2 of 2
SVN Rev: Not in version control	Assembly Variant: 001	Size: Letter
Drawn By:	File: LP036A.SchDoc	
Engineer: Stephen Ziel	Contact: http://www.ti.com/support	

