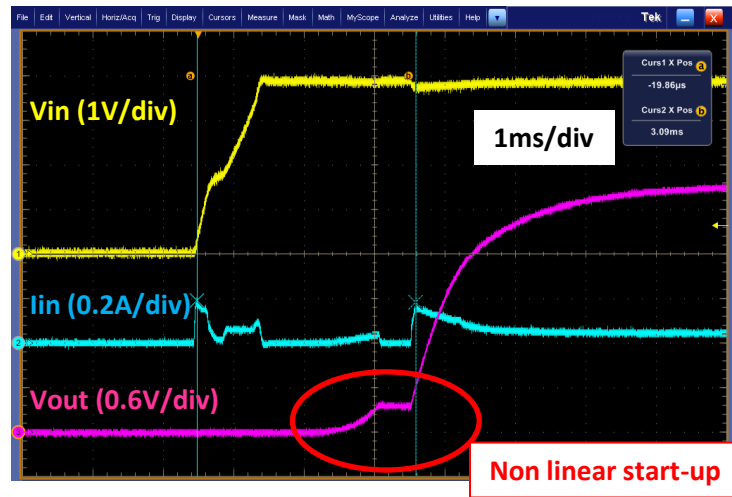
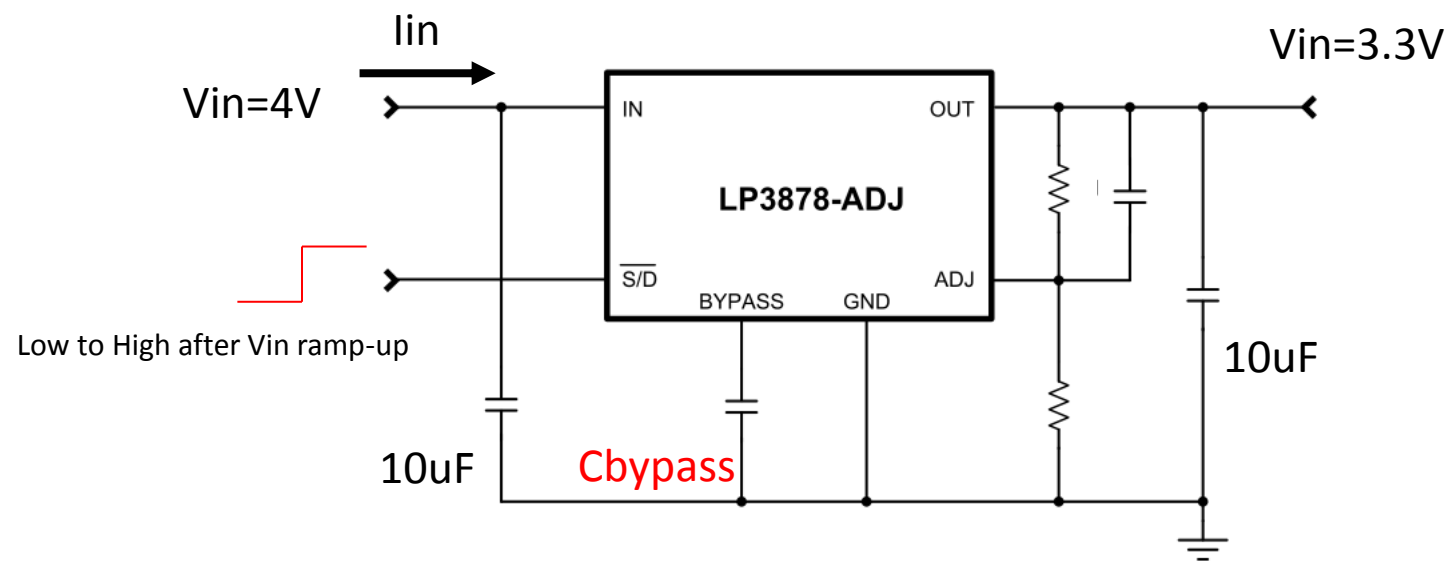
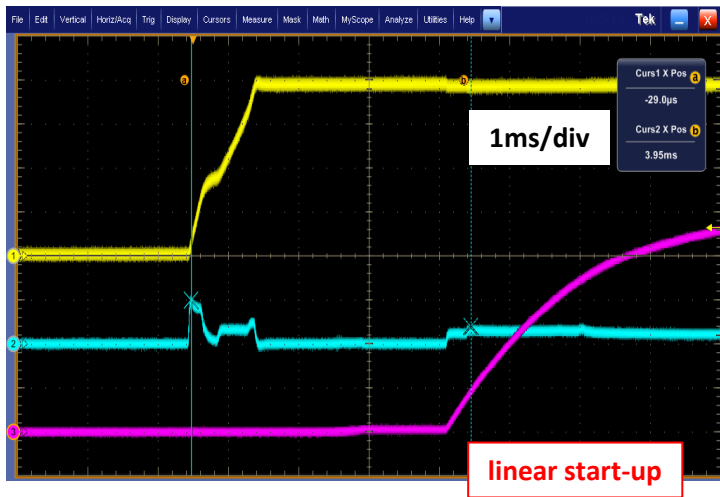


# LP3878-ADJ / Non linear start-up issue

Cbypass = 0.068uF



Cbypass = 0.15uF



Non linear start-up can be seen with Cbypass=0.068uF though it's linear at Cbypass=0.15uF.