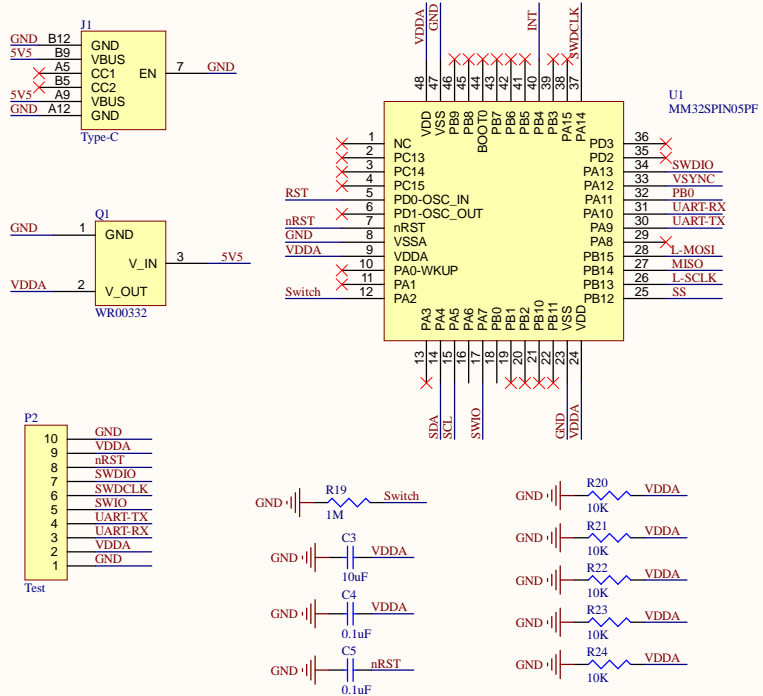
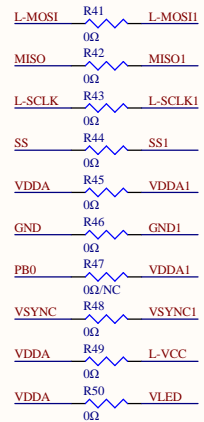


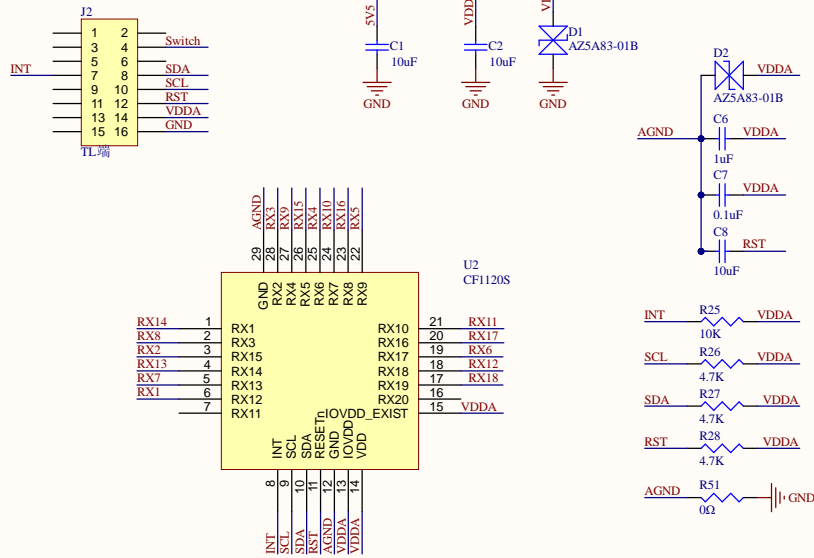
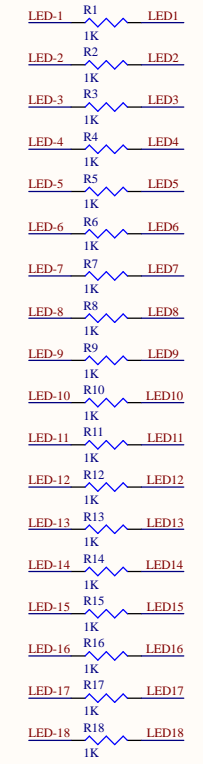
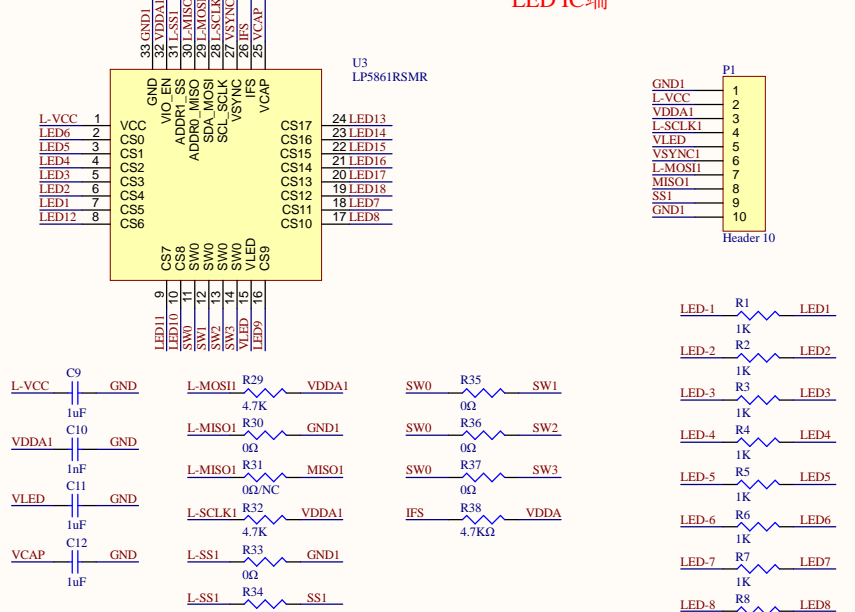
MCU端



选择Pin, MCU控制LED



LED IC端



Touch IC端

(C) 2024 HF Sitronix		Confidential	
Project: BSH Touch Key Project			
Page Contents: BSH Touch Key Demo With Spring V0.1.SchDoc			
Checked by:	Becky	Revision:	V0.1
Date:	2024/2/21	Sheet	1 of 1