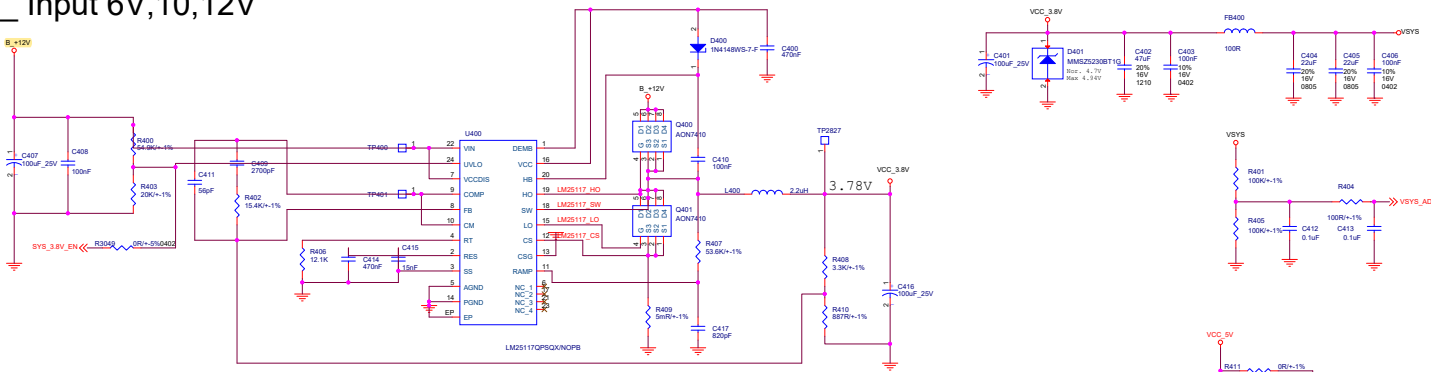
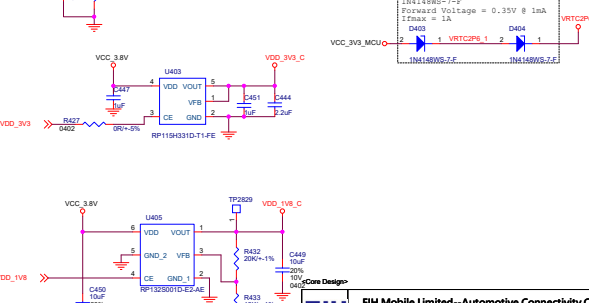
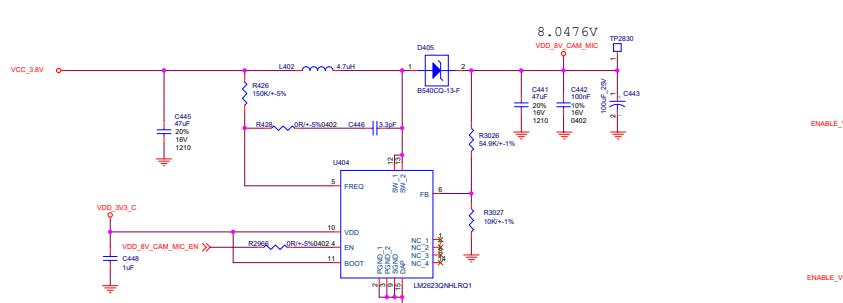
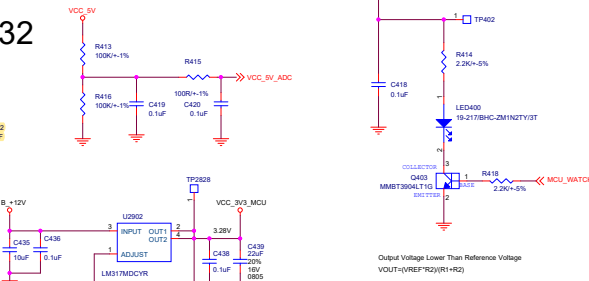
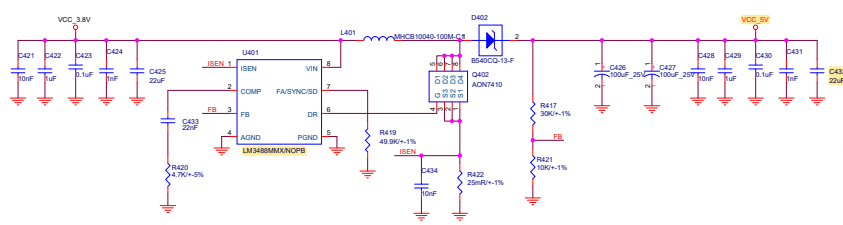


B_ Input 6V,10,12V



E-load 1.5A on C432



FIH Mobile Limited--Automotive Connectivity Center
 Design Name: **SCSS_MB**
 Page Name: **04_MAIN_POWER**
 Date: **Friday, March 27, 2020**

Rev	EV11
Sheet	4 of 28