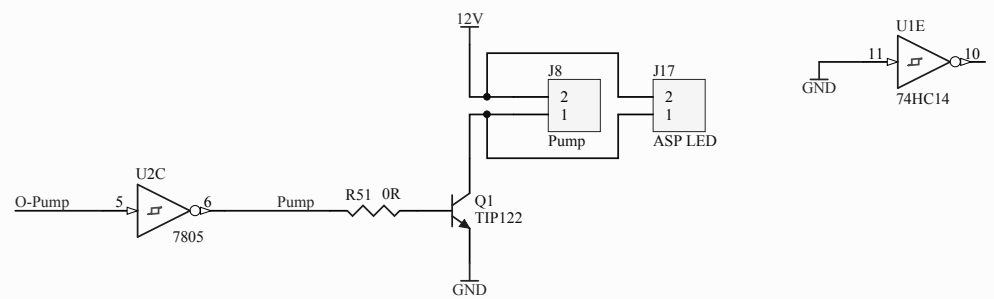
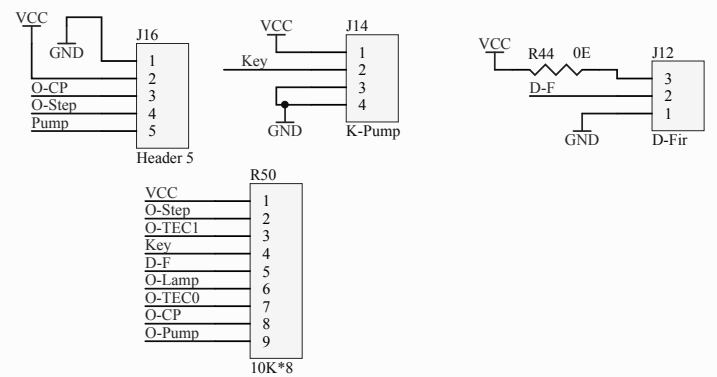
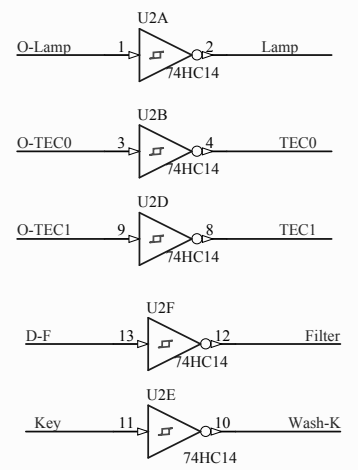
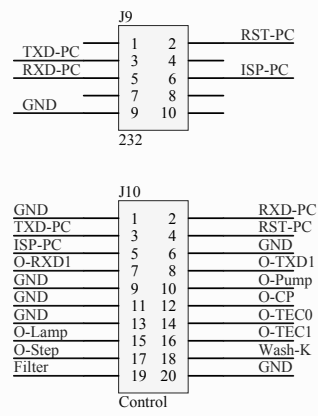
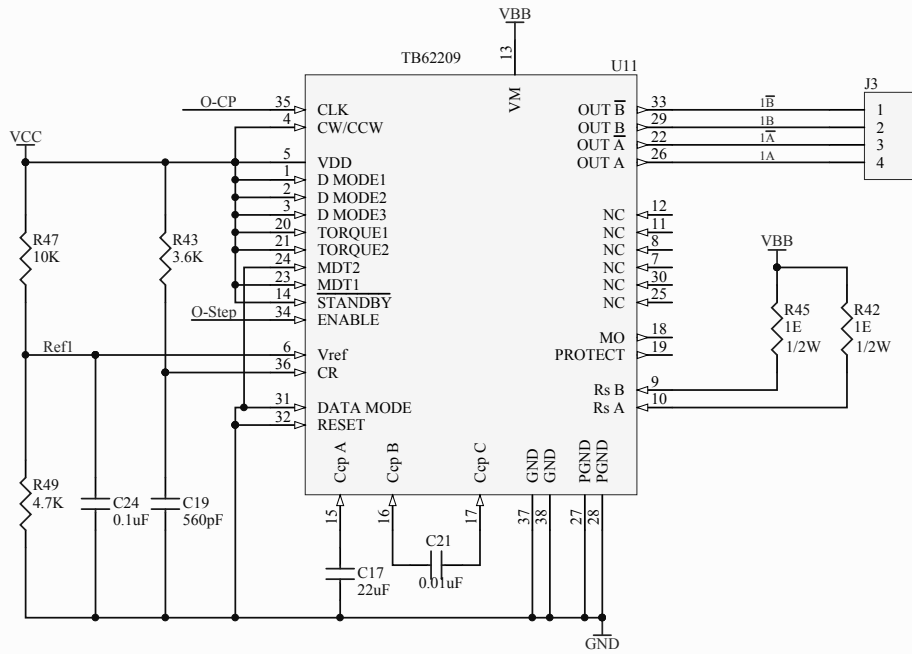
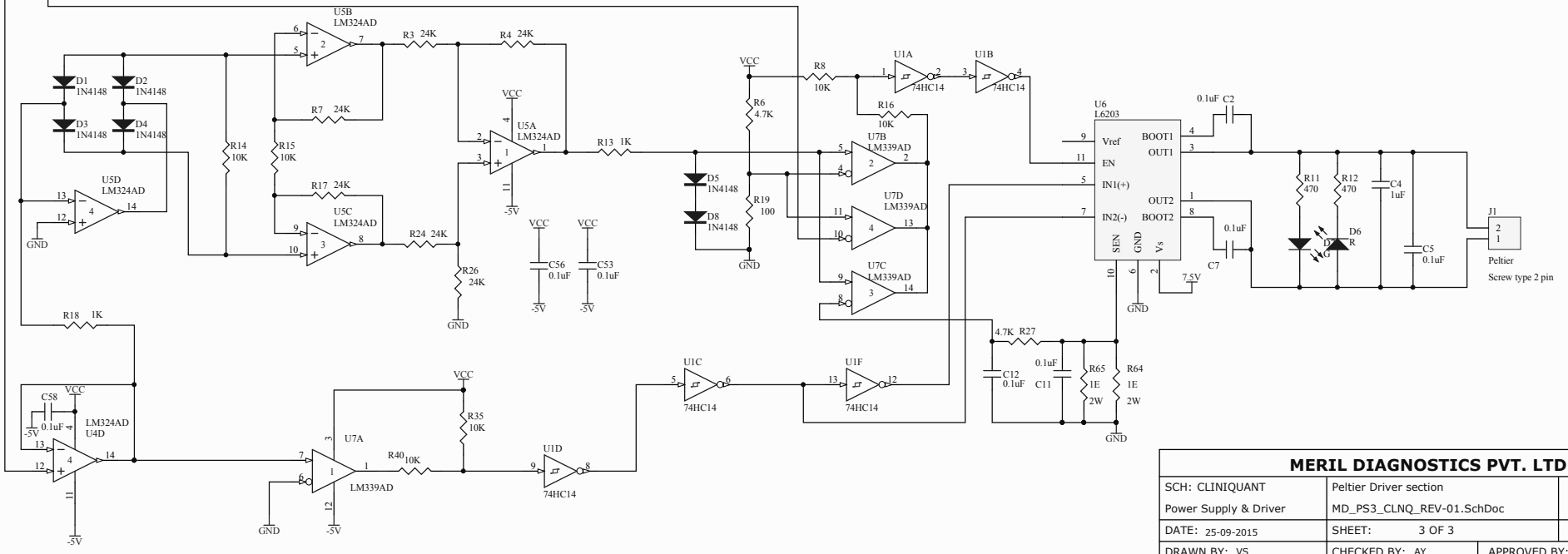
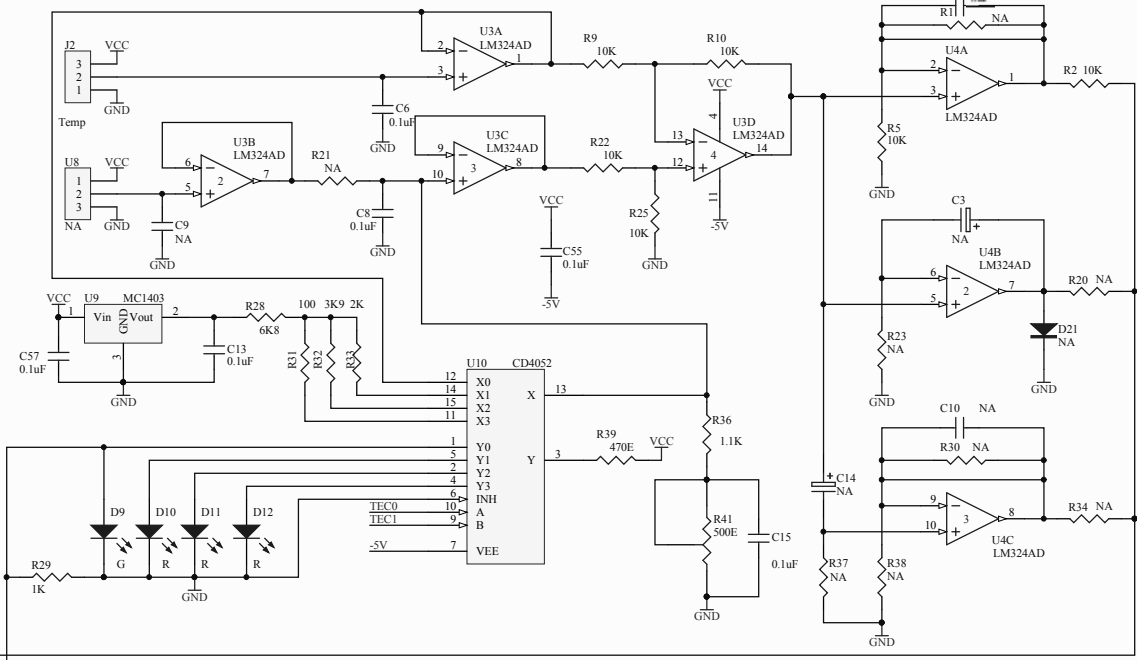


MERIL DIAGNOSTICS PVT. LTD.					
3	Change IC U14 & U 16 from AOZ1014 to TPS5430	25-09-2015	SCH: CLINIQUANT	Power supply section	REL: 3
2	Removed U8, D21, R(20,21,23,34,37,38), C(3,9,14), J1 type changed	23-08-2013	Power Supply & Driver	MD_PS1_CLNQ_REV-01.SchDoc	
1	Added J4, J17 & D21; Removed D(13,14,15,19,20), U12; Shorted *	14-02-2013	DATE: 25-09-2015	SHEET: 1 OF 3	APPROVED BY: NA
0	First Release	01-12-2012	DRAWN BY: VS	CHECKED BY: AY	APPROVED BY: NA
SR NO	REVISION HISTORY	DATE	DATE: 25-09-2015	DATE: 25-09-2015	DATE: 25-09-2015



MERIL DIAGNOSTICS PVT. LTD.		
SCH: CLINIQUANT	Stepper motor driver section	REL: 3
Power Supply & Driver	MD_PS2_CLNQ_REV-01.SchDoc	A4
DATE: 25-09-2015	SHEET: 2 OF 3	
DRAWN BY:	CHECKED BY:	APPROVED BY:
DATE: 25-09-2015	DATE: 25-09-2015	DATE: 25-09-2015



MERIL DIAGNOSTICS PVT. LTD.		
SCH: CLINIQUANT	Peltier Driver section	REL: 3
Power Supply & Driver	MD_PS3_CLNQ_REV-01.SchDoc	A3
DATE: 25-09-2015	SHEET: 3 OF 3	
DRAWN BY: VS	CHECKED BY: AY	APPROVED BY: NA
DATE: 25-09-2015	DATE: 25-09-2015	DATE: 25-09-2015