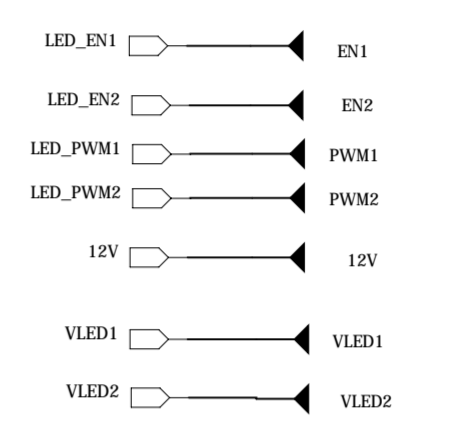
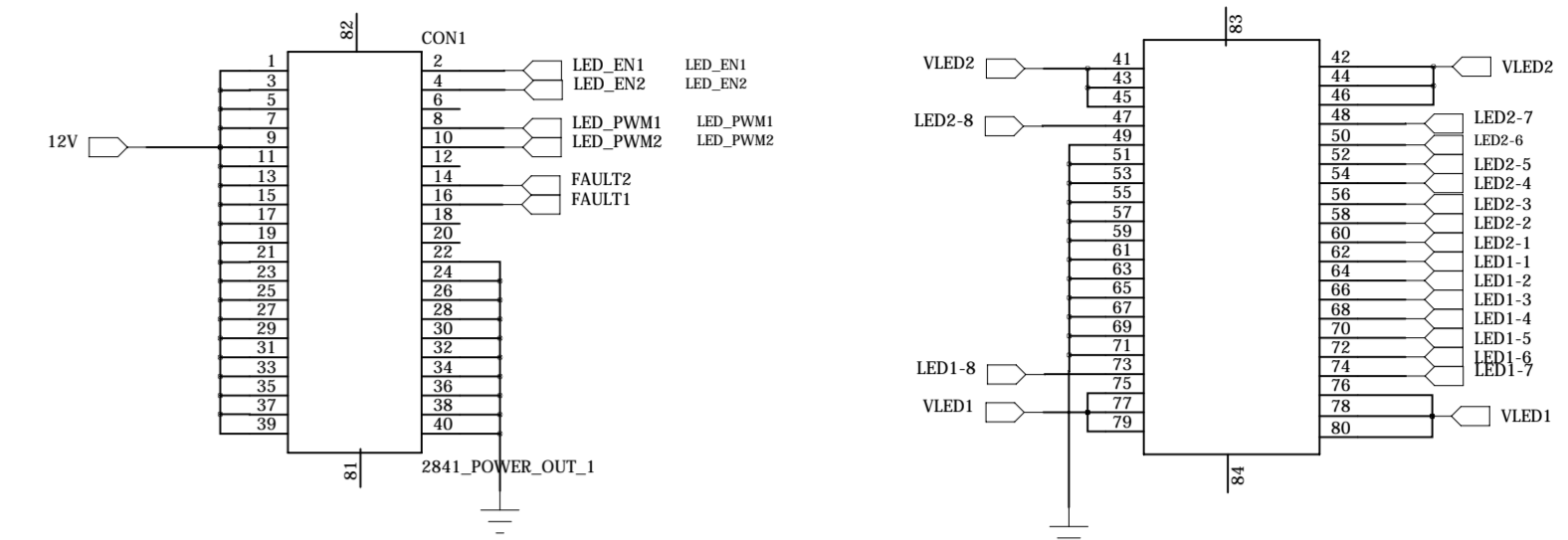
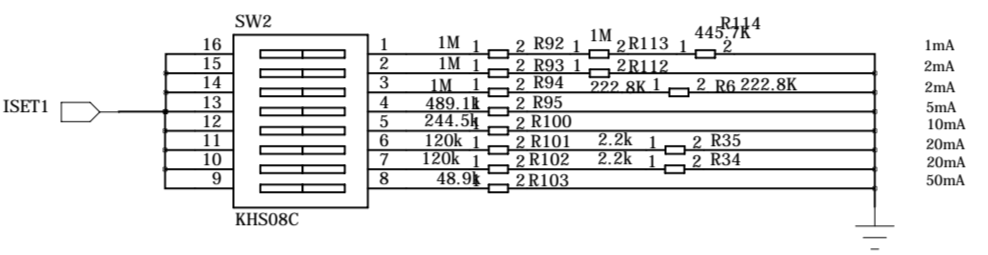
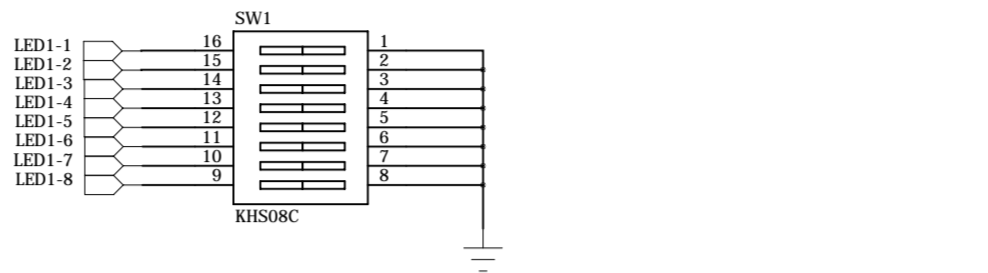
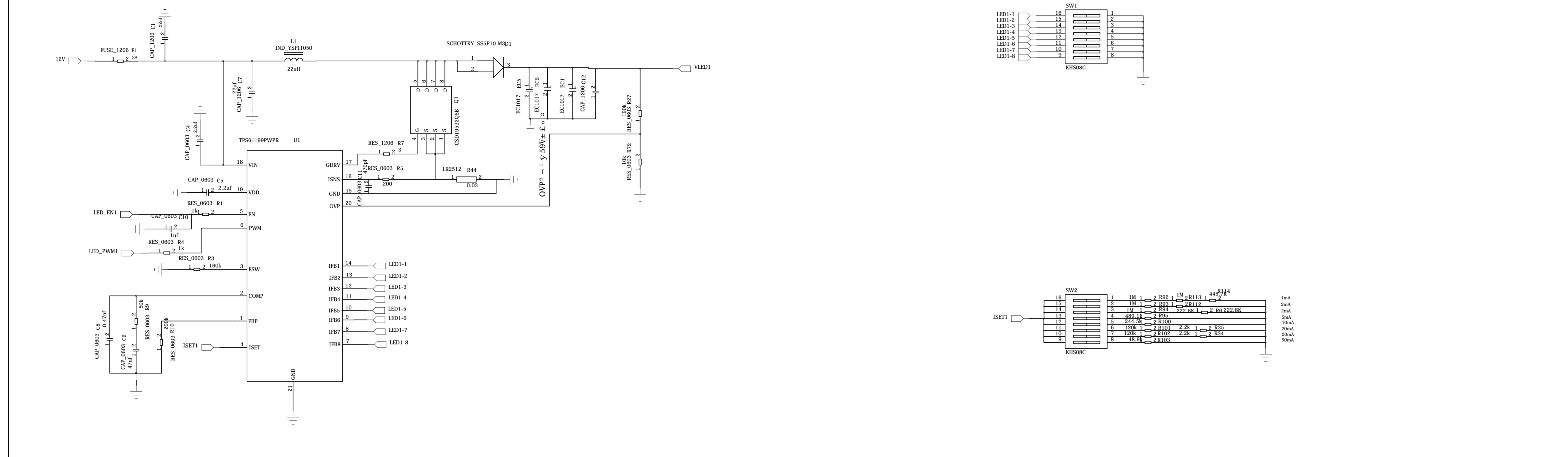
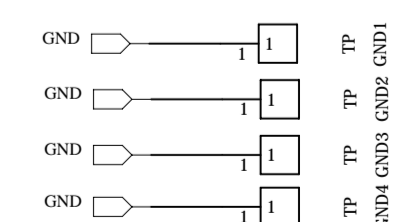
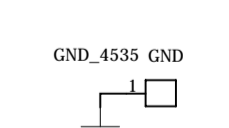
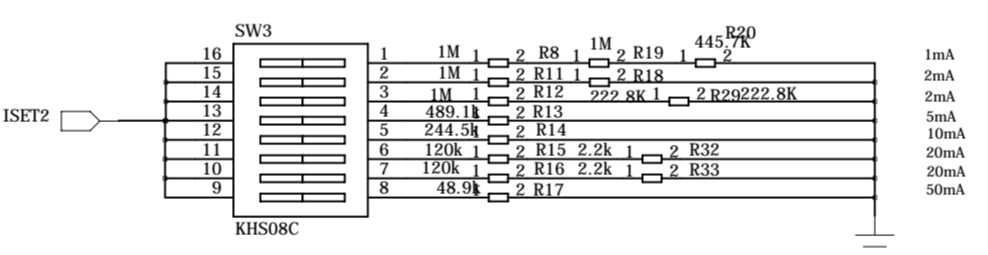
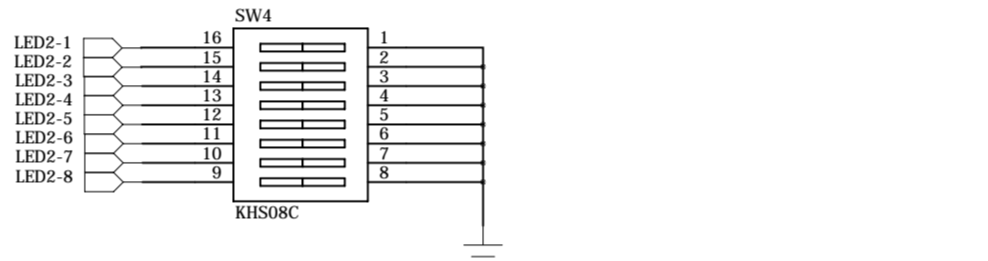
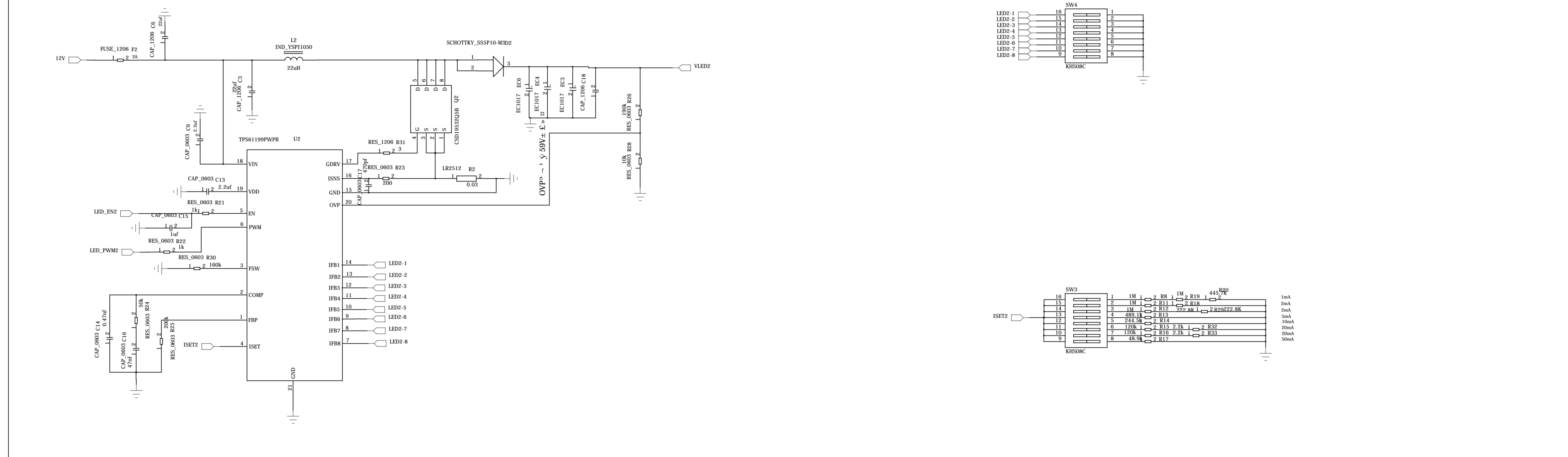


REVISION RECORD			
REV	REV NO.	APPROVED	DATE

LED1_DRIVER



LED2_DRIVER



DRAWN: <Drawn By>		DATE: <Drawn Date>		COMPANY: <Company Name>		TITLE: <Title>	
CHECKED: <Checked By>	DATE: <Checked Date>	CODE	SIZE	DRAWING NO.	REV.		
QUALITY CONTROL: <QC By>	DATE: <QC Date>	<Code>		A0<Drawing Number>		Revision	
RELEASED: <Released By>	DATE: <Release Date>	SCALE: <Scale>		SHEET: 1 of 1			