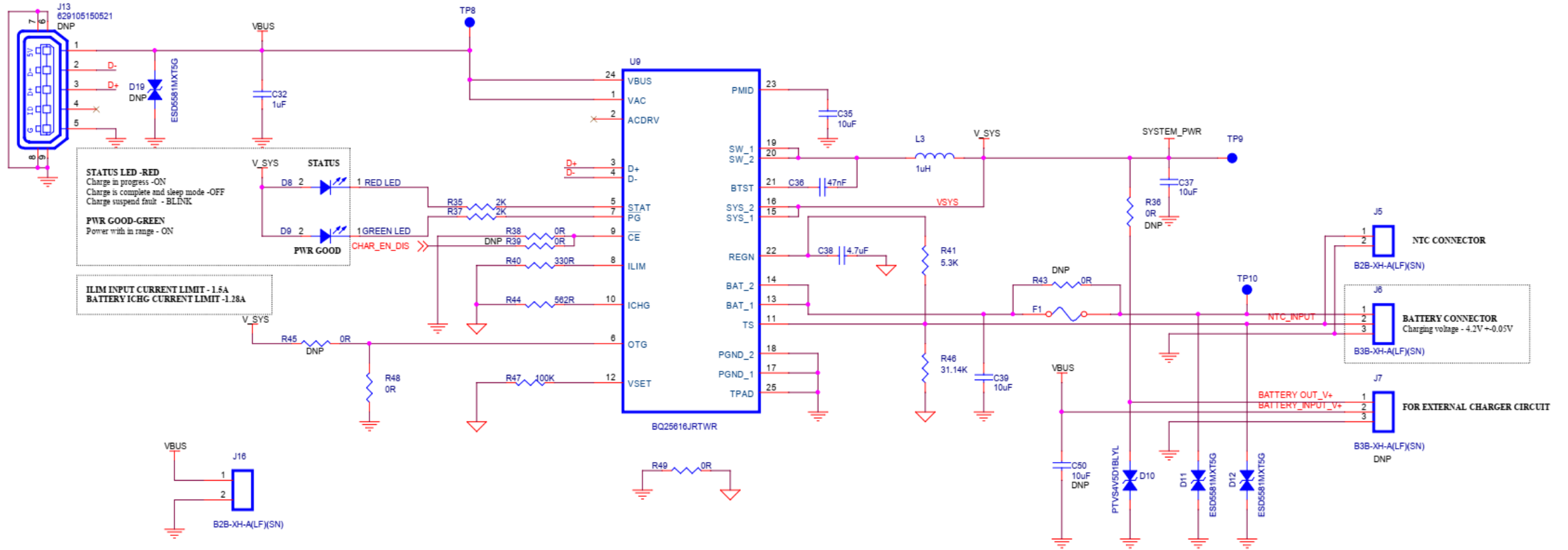
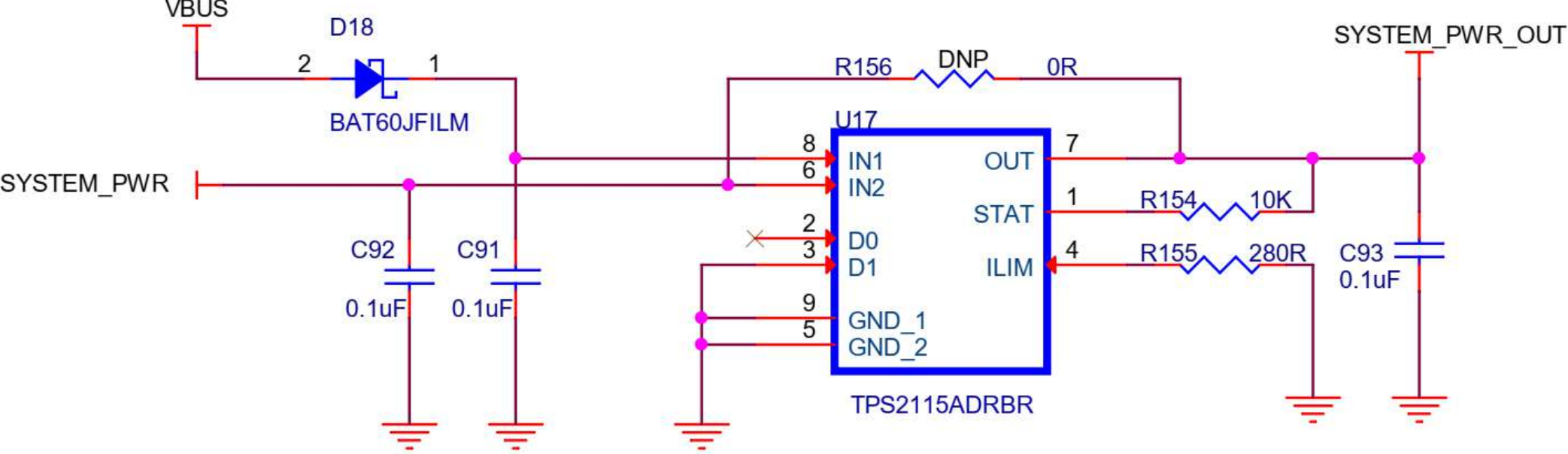


4.2V -BATTERY BMS UNIT



POWER MUX SELECTION



MAIN POWER SUPPLY - 3V3

