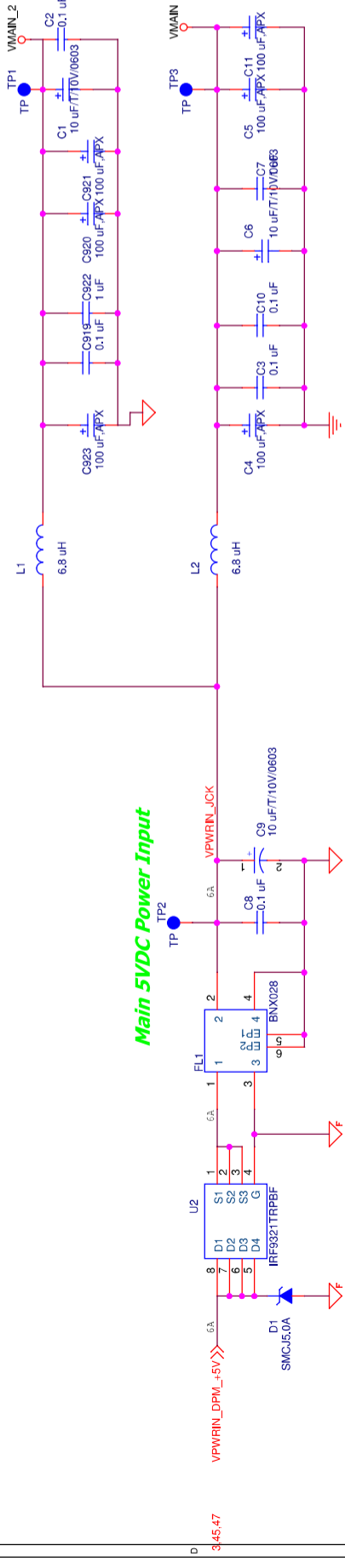
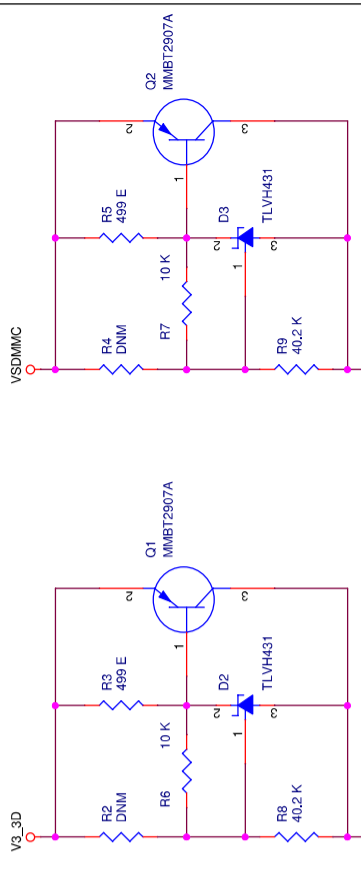


**Main 5VDC Power Input**

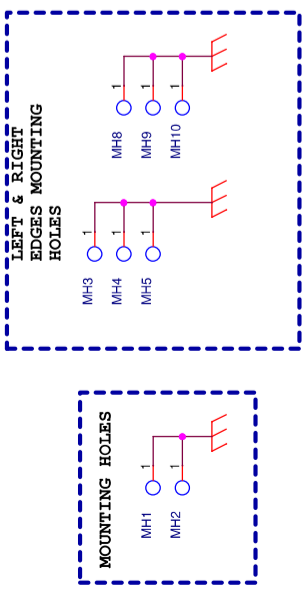
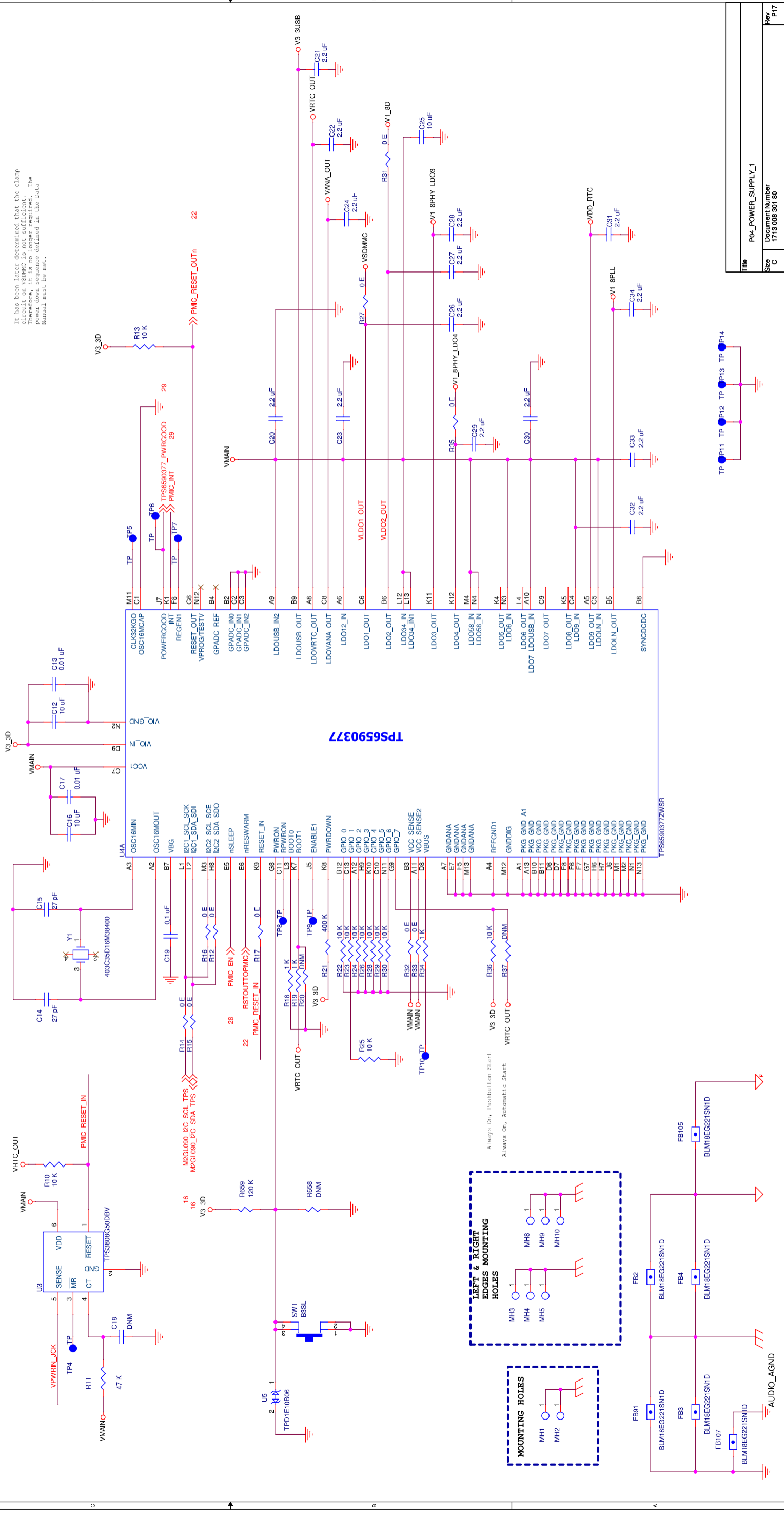


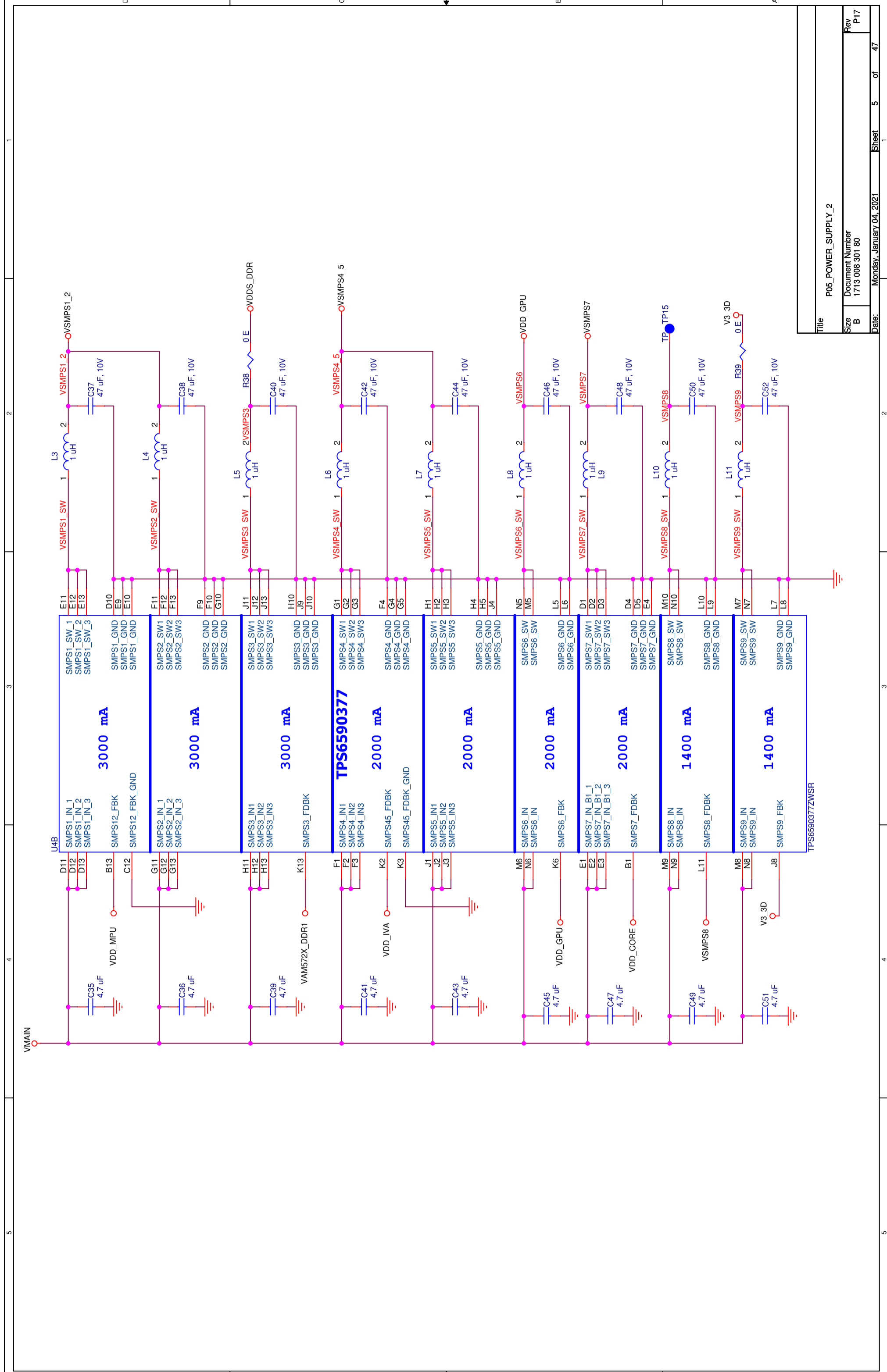
Sufficient capacitance needed to hold up VMAIN (over 2.7V) for at least 1ms after power supply shut off. AM5718 device will be in POR reset. This will allow the PMIC to properly execute its power-down sequence.



Clamp circuits added to guarantee the 3.3V supplies V3\_3D and VSDMMC never drop below V1\_8D during uncontrolled shut-down.

It has been later determined that the clamp circuit on VSDMMC is not sufficient. Therefore, it is no longer required. The power-down sequence defined in the Data Manual must be met.





Title		P05_POWER_SUPPLY_2	
Size	B	Document Number	1713 008 301 80
Rev	P17	Date:	Monday, January 04, 2021
Sheet		5	of 47