

PAZ699NL

4 3 2 1

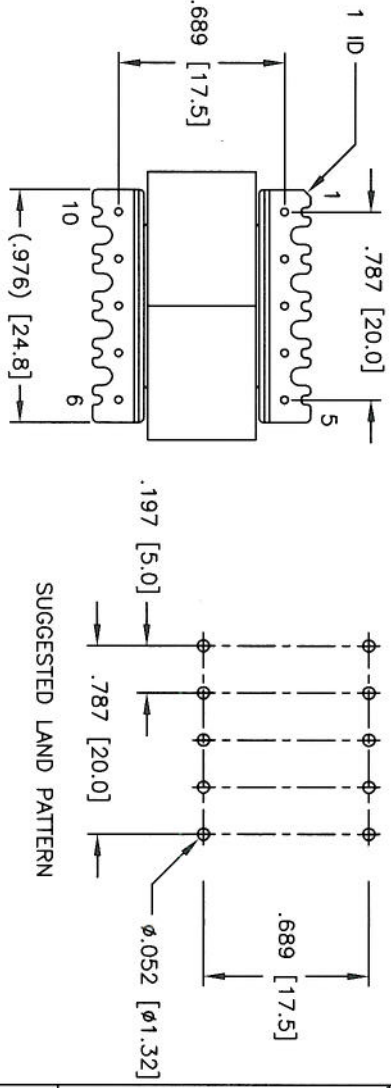
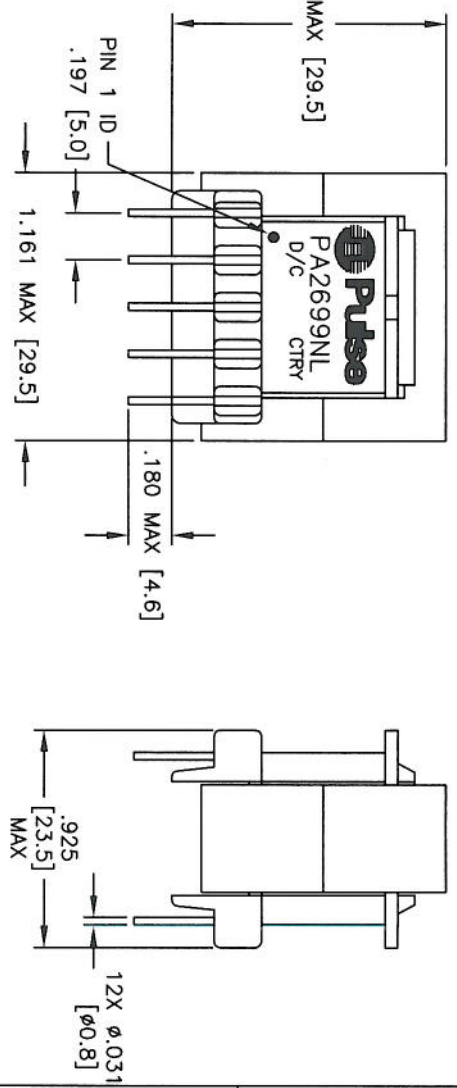
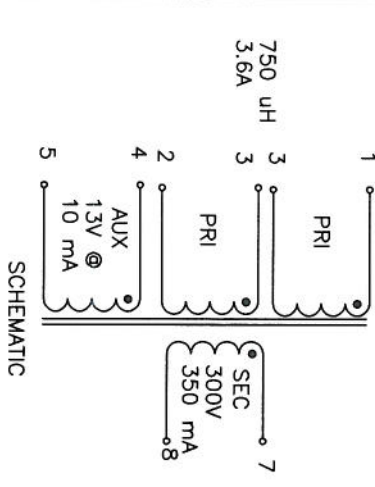
NOTICE: THE INFORMATION AND DESIGN CONTAINED HEREIN IS THE PROPERTY OF PULSE WHO RESERVES ALL RIGHTS THEREON.

TEST NOTES:

UNLESS OTHERWISE SPECIFIED, TESTING IS PERFORMED AT 25°C ±5°C.

1. TURNS RATIO & POLARITY: (100%) AT 10 KHZ, 1.00 VRMS. USE UNGAPPED CORES.  
(1'-2) : (7-8) : 1:1 = 1.00 ±2%.  
(1'-2) : (4'-5); 20:1 = 20.0 ±2%.
2. INDUCTANCE: (100%) AT 10 KHZ, 430 mVRMS.  
(1-2) = 750 uH ±10% @0 ADC  
(1-2) = 565 uH MINIMUM @3.6 ADC
3. LEAKAGE INDUCTANCE: (100%) AT 100 KHZ, 430 mVRMS.  
(1-2) WITH (4,5,7,8) SHORTED = 15 uH MAX
4. DCR: (SAMPLE)  
(1-2) = 660 MOHMS(TYP), 760 MOHMS( MAX)  
(4-5) = 360 MOHMS(TYP), 415 MOHMS( MAX)  
(7-8) = 1.310 OHMS(TYP), 1.440 MOHMS(MAX)
5. HIPOT: (100%)  
(1,2,3,4,5) TO (6,7,8, 9,10) : 1000 VRMS, 1 MINUTE  
(1,2) TO (4-5) : 500 VRMS, 1 MINUTE

VIN = 150-264 VAC  
Frequency: 45 KHZ.



4-10000 REV 0 2/00

PLEASE ORDERING SPECIFIED, ALL DIMENSIONS ARE IN INCHES UNLESS OTHERWISE SPECIFIED.

DECIMALS .XX ±.01 ANGLES ± 1°  
XXX ±.005

DO NOT SCALE DRAWING

SIZE CODE B01961  
SCALE 2/1 CAD FILE  
DWC. NO. PAZ699NL  
SHEET 4 OF 4  
REV X2

