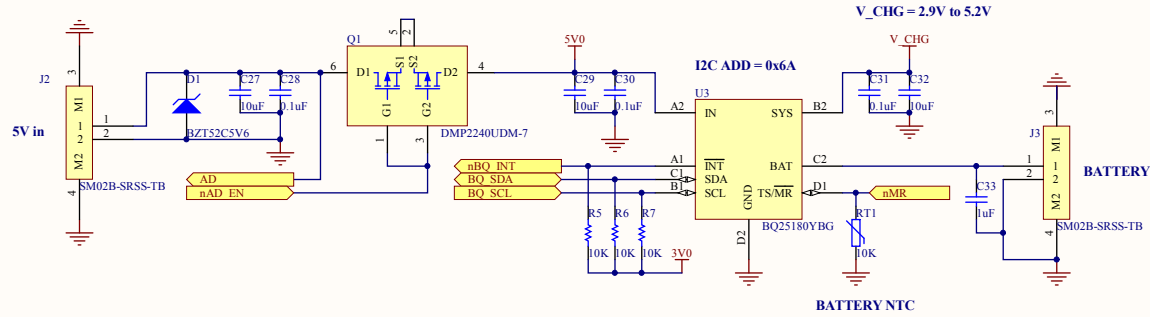
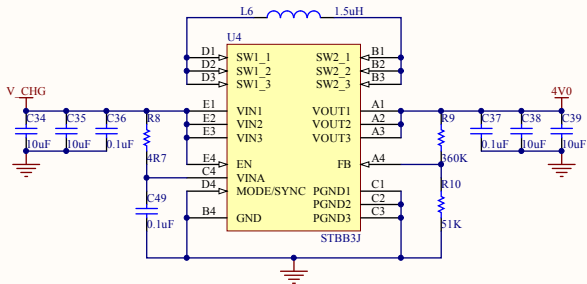


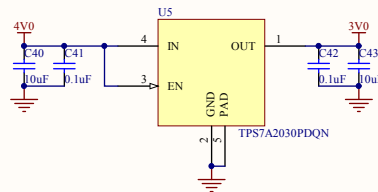
## POWER IN & BATTERY



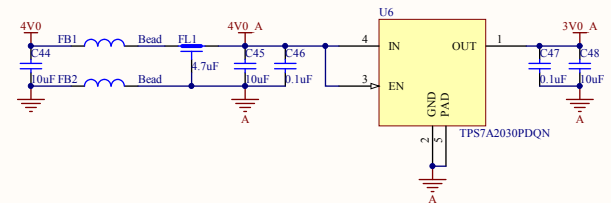
## 4V BUCK BOOST



## 3V LDO



## 3V LDO



Revision 1.0

SIZE A3	ELEC Kirti Patil	SUB TITLE 04 POWER.SchDoc			
DATE 7/24/2022	ASSY. NO.	PATCH_PCBAI	FAB. NO.	PATCH_PCBAI	SHEET 4 OF 7