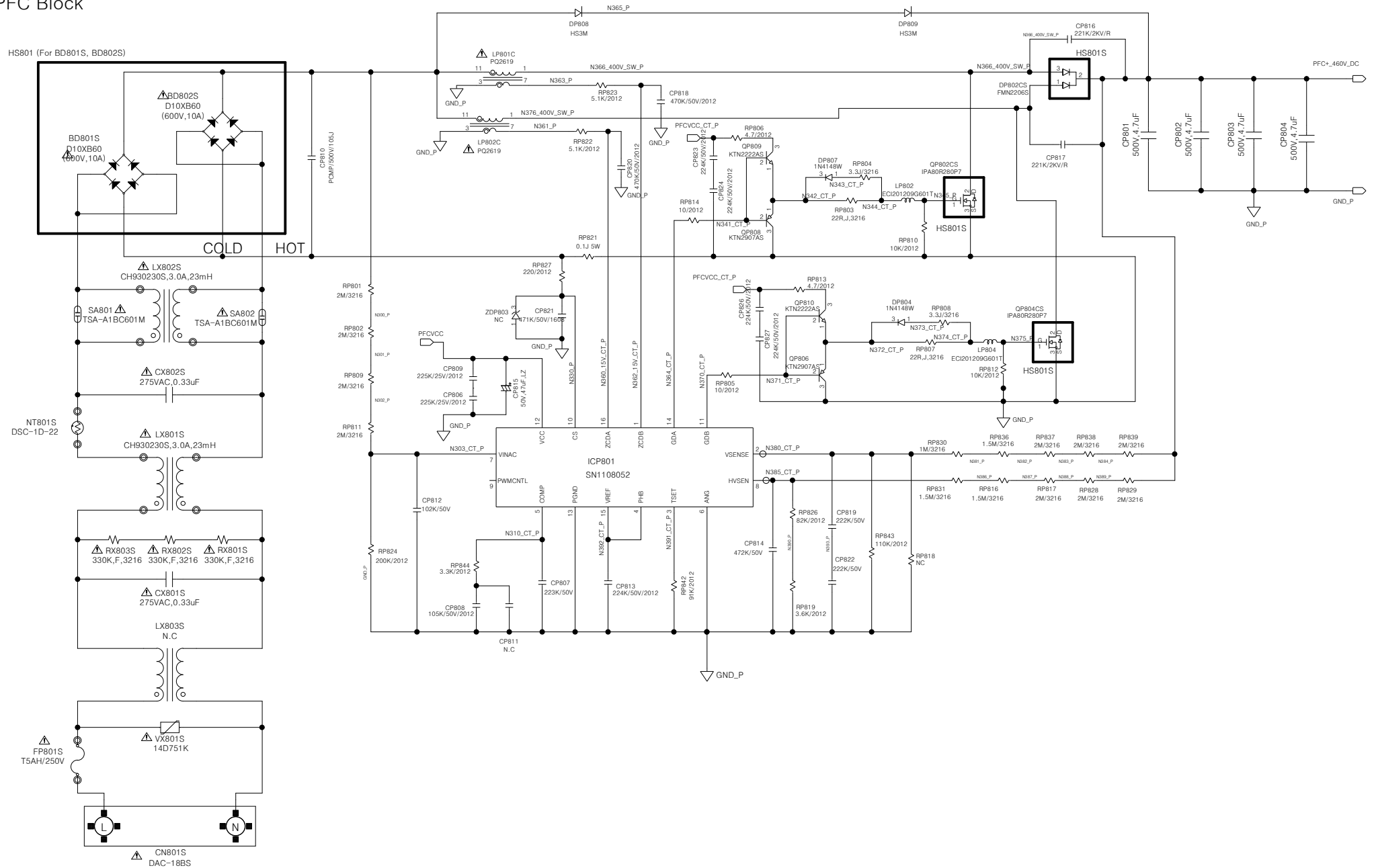



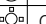
EMI+PFC Block



NOTE

"PL & 회로도 & 실물 & BOM 4점 정합함을 보증함"

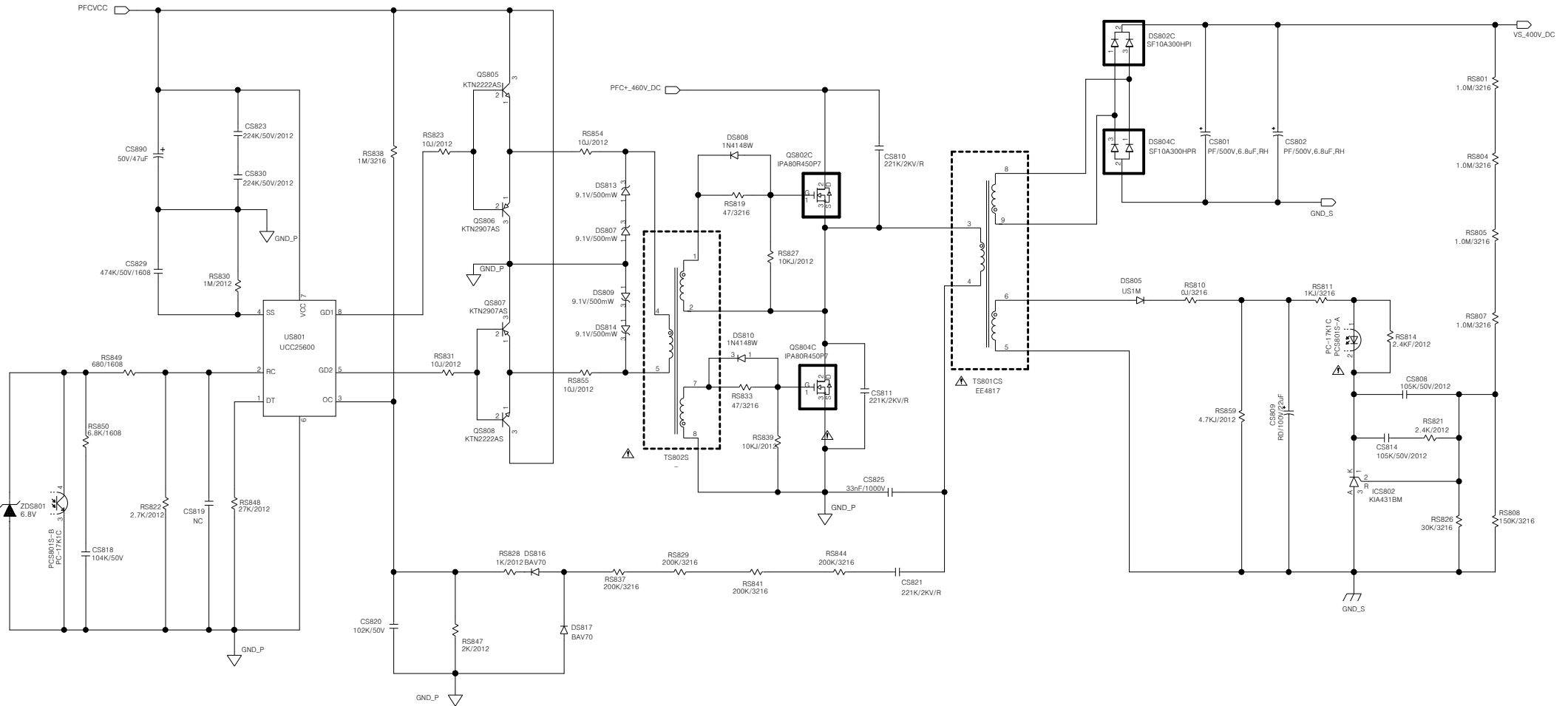
Comply with the threshold of substances which are specified in 0QA_209
 *NC : NO CONNECTION *MLCC SIZE : 별도의 표기 없을 시 1608 Size

EYELET SIZE	
	ODΦ1.6
	ODΦ2.0



COMPANY	POWERNET		DATE	2017-07-07	
MODEL NAME	PCB9_MPN(269W)	REVISION	0.1A	DRAWN	I.Y KIM
CODE	BN44-00XXXX	LEVEL		APPROVED	Y.J YOO

LLC Block



NOTE

"PL & 회로도 & 실물 & BOM 4점 정합함을 보증함"

Comply with the threshold of substances which are specified in 0QA_209

*NC : NO CONNECTION

EYELET SIZE	
	ODΦ1.6
	ODΦ2.0



COMPANY	POWERNET		DATE	2017-07-07
MODEL NAME	PCB9_MPN(269W)	REVISION	0.1A	DRAWN I.Y KIM
CODE	BN44-00XXXX	LEVEL	APPROVED	Y.J YOO

PAGE NUMBER

3/3