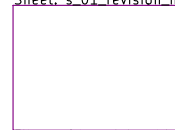


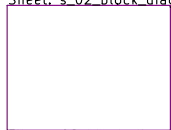
Common HW Tracker

Sheet: s_01_revision_history



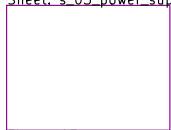
File: s_01_revision_history.sch

Sheet: s_02_block_diagram



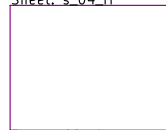
File: s_02_block_diagram.sch

Sheet: s_03_power_supply



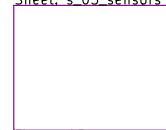
File: s_03_power_supply.sch

Sheet: s_04_rf



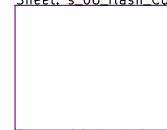
File: s_04_rf.sch

Sheet: s_05_sensors



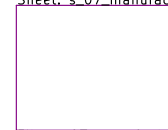
File: s_05_sensors.sch

Sheet: s_06_flash_Connectors



File: s_06_flash_Connectors.sch

Sheet: s_07_manufacturing



File: s_07_manufacturing.sch

Release Date: 2021-09-20	
Designed By: APC	Date: 20/09/21
Verified By:	Date:
Approved By:	Date:
Customer:	



System Level Solutions Inc.
Plot#32, Phase 1, Zone D/4,
G.I.D.C. Estate,
V.U.Nagar - 388121,
Gujarat, INDIA

Copyright © 2021 System Level Solutions, Inc. All rights reserved.

Sheet Name: /			
Title: Common HW Tracker			
Size: A4	Document Number: PCB-CHTRKR-2138-1A-01	Revision: 1A	Version: 01
Date: 2021-09-20			Sheet: 1/8

Revision History

Sr. No.	Revision	Sub Ver	Date	Description
01	1A	01		Released Initial Version of Schematics

Copyright © 2021 System Level Solutions, Inc. All rights reserved.

Sheet Name: /s_01_revision_history/

Title: Common HW Tracker

Size: A4 Document Number: PCB-CHTRKR-2138-1A-01 Revision: 1A Version: 01

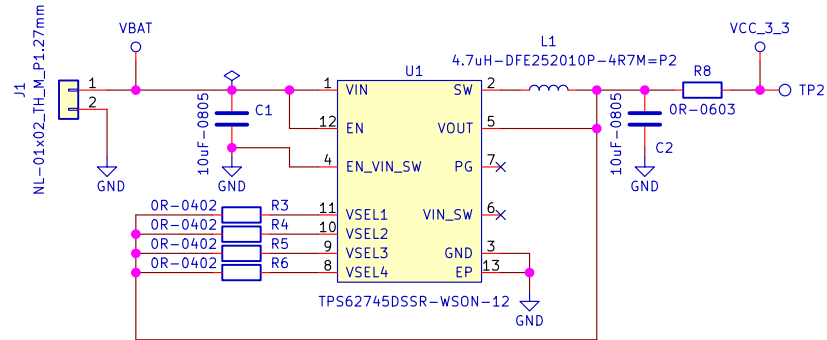
Date: 2021-09-20 Sheet: 2/8

	1	2	3	4	5	6
A						
B						
C						
D						
	1	2	3	4	5	6

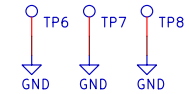
Copyright © 2021 System Level Solutions, Inc. All rights reserved.			
Sheet Name: /s_02_block_diagram/			
Title: Common HW Tracker			
Size: A4	Document Number: PCB-CHTRKR-2138-1A-01	Revision: 1A	Version: 01
Date: 2021-09-20			Sheet: 3/8

Power Supply

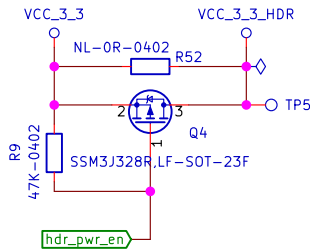
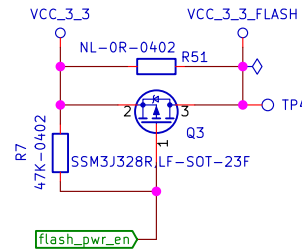
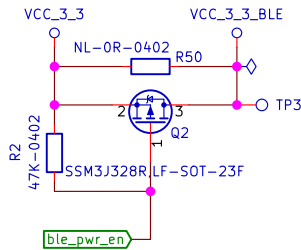
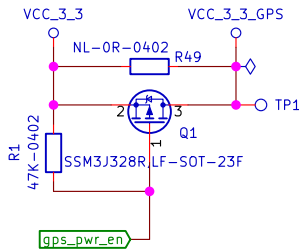
+3.3V high efficiency Buck converter



Testpoints



Power EN Mosfets



Copyright © 2021 System Level Solutions, Inc. All rights reserved.

Sheet Name: /s_03_power_supply/

Title: Common HW Tracker

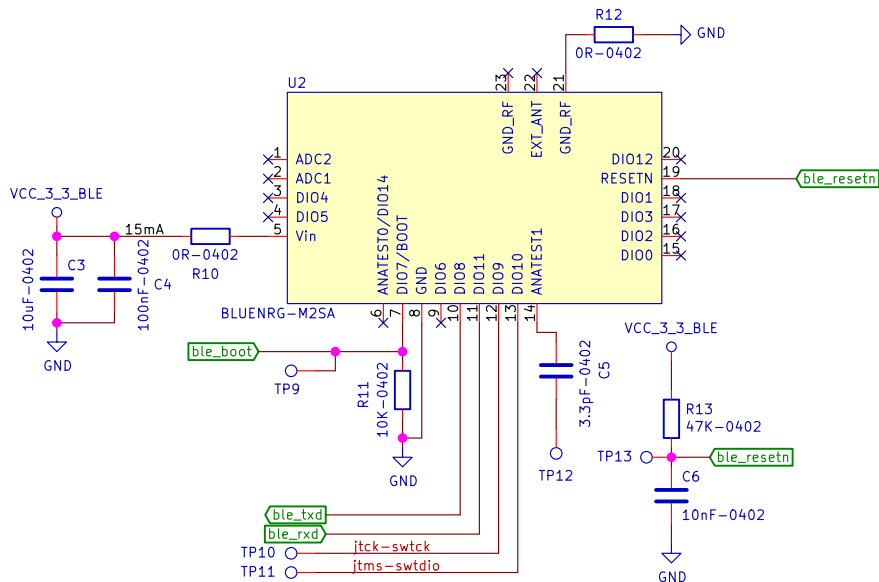
Size: A4 | Document Number: PCB-CHTRKR-2138-1A-01 | Revision: 1A | Version: 01

Date: 2021-09-20

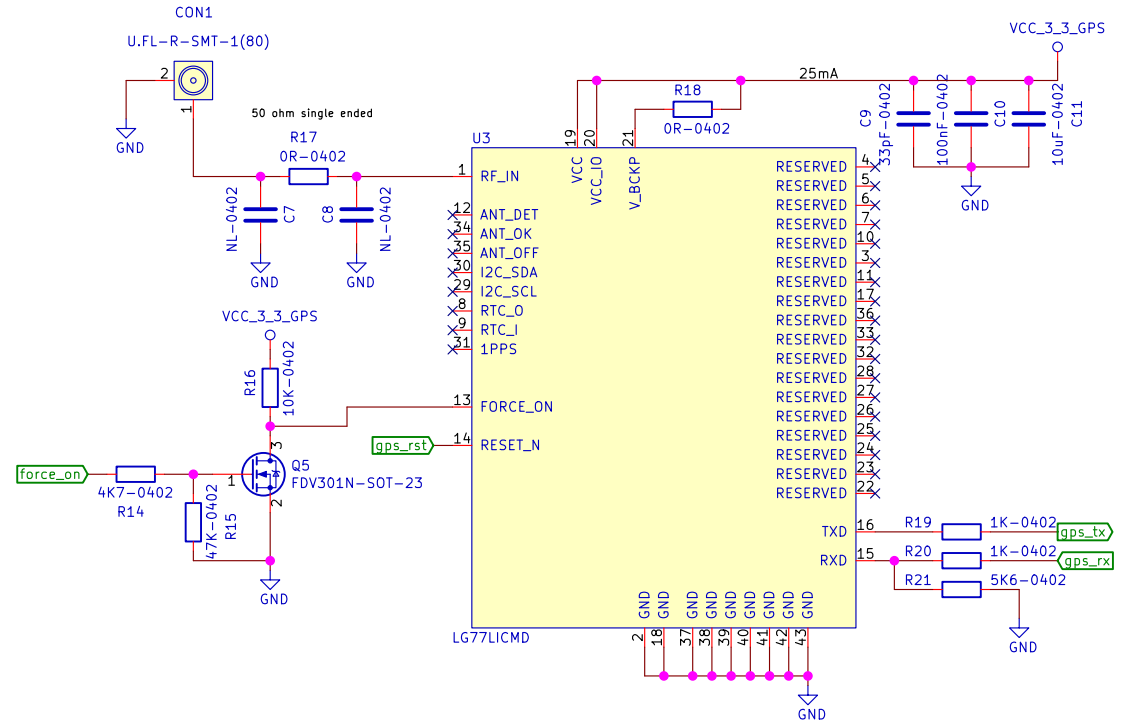
Sheet: 4/8

RF

BLE



GPS



Copyright © 2021 System Level Solutions, Inc. All rights reserved.

Sheet Name: /s_04_rf/

Title: Common HW Tracker

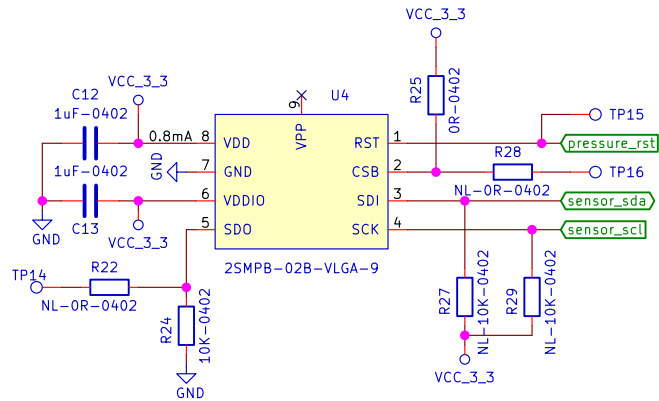
Size: A4 | Document Number: PCB-CHTRKR-2138-1A-01 | Revision: 1A | Version: 01

Date: 2021-09-20

Sheet: 5/8

Sensors

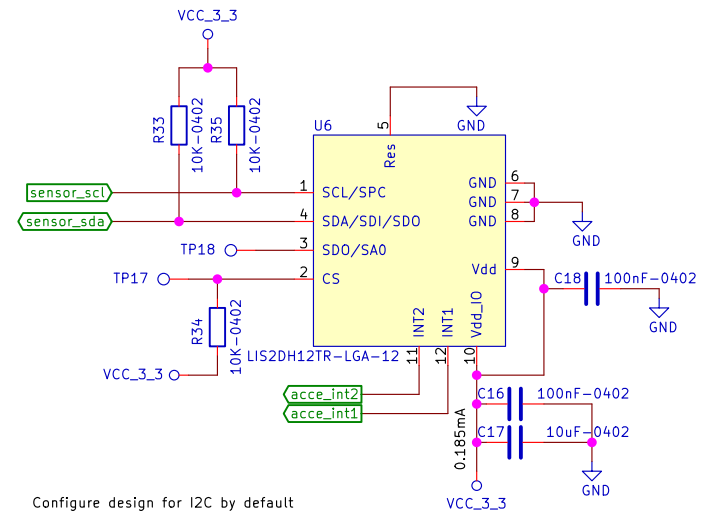
Pressure sensor



Note: Pull-Up Resistors are marked DNP considering I2C host board will have that.
Configure design for I2C by default

Note:
For I2C interface requirement For SPI interface requirement
R29 = 0R R29 = 10K
R31 should be DNP R31 = 0R
R30, R32 = 10K R30, R32 should be DNP
R24 = 10K R24 should be DNP
R23 should be DNP R23 = 0R

Accelerometer sensor



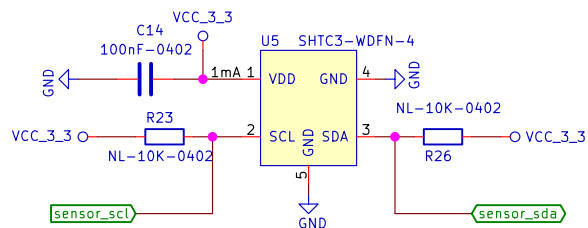
Configure design for I2C by default

Note: Pull-Up Resistors are marked DNP considering I2C host board will have that

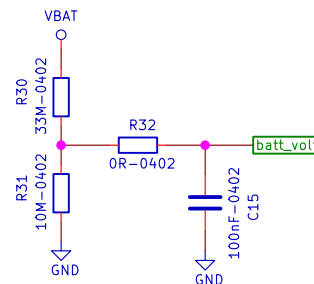
Note:
For I2C interface requirement
R9, R11 = 10K
R10 = 10K

For SPI interface requirement
R9, R11 = DNP

Temp & Humidity sensor



Batt volt sens



Copyright © 2021 System Level Solutions, Inc. All rights reserved.

Sheet Name: /s_05_sensors/

Title: Common HW Tracker

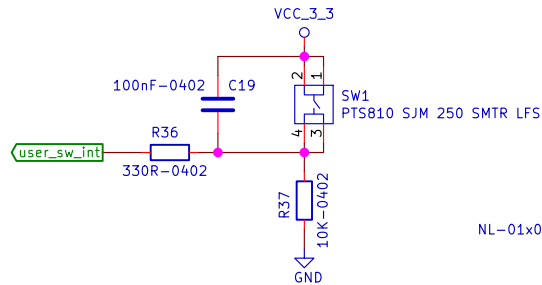
Size: A4 Document Number: PCB-CHTRKR-2138-1A-01 Revision: 1A Version: 01

Date: 2021-09-20

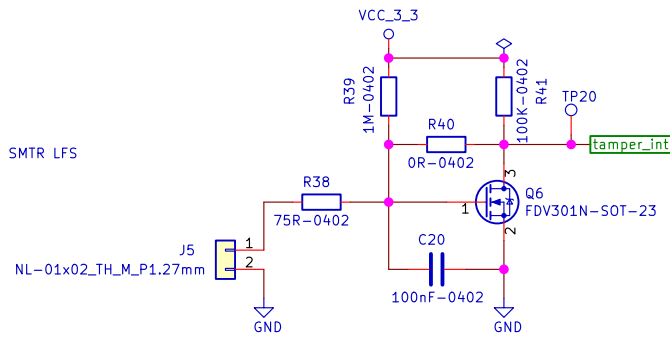
Sheet: 6/8

Flash, Connectors

USER SWITCH

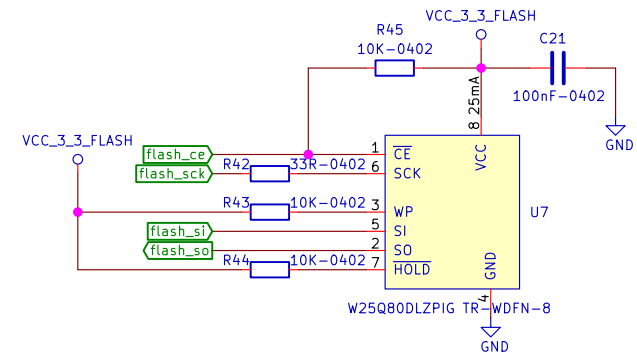


TAMPER SWITCH

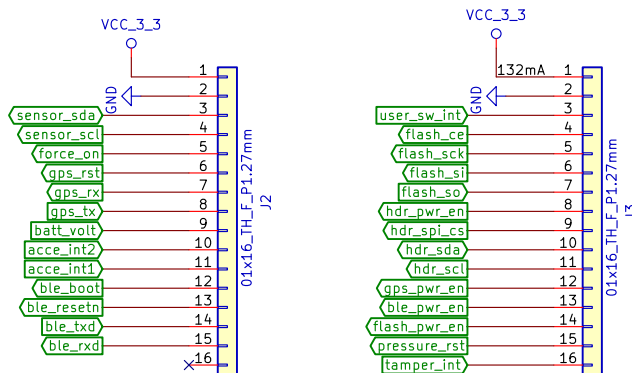


R39 and Q6 will not be required for the NC switch.

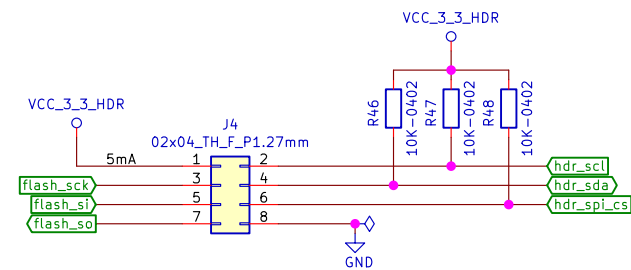
SPI Flash



Lora Mod interface hdr



8-pin header (Future use)



Copyright © 2021 System Level Solutions, Inc. All rights reserved.

Sheet Name: /s_06_flash_Connectors/

Title: Common HW Tracker

Size: A4 | Document Number: PCB-CHTRKR-2138-1A-01 | Revision: 1A | Version: 01

Date: 2021-09-20

Sheet: 7/8

Manufacturing

Mounting holes



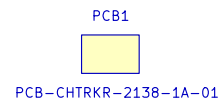
Fiducials



SLS Logo



PCB Code



Copyright © 2021 System Level Solutions, Inc. All rights reserved.

Sheet Name: /s_07_manufacturing/

Title: Common HW Tracker

Size: A4 | Document Number: PCB-CHTRKR-2138-1A-01 | Revision: 1A | Version: 01

Date: 2021-09-20

Sheet: 8/8