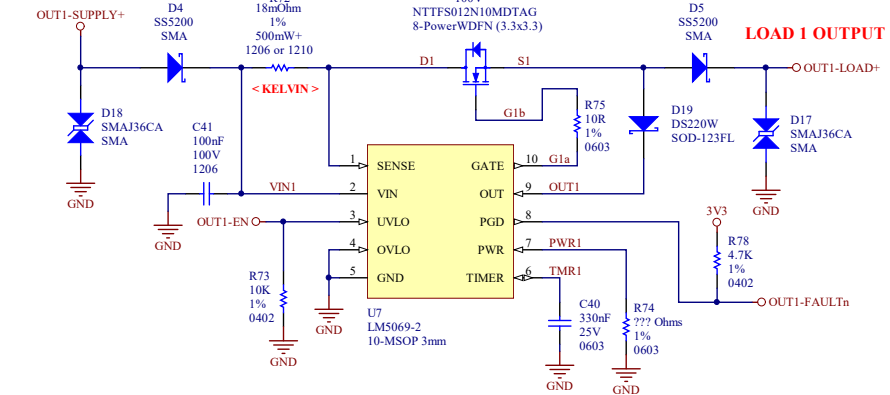


HIGH-SIDE (TYPE P) TRANSISTOR OUTPUTS

LOAD 1 SUPPLY



LOAD 2 SUPPLY

