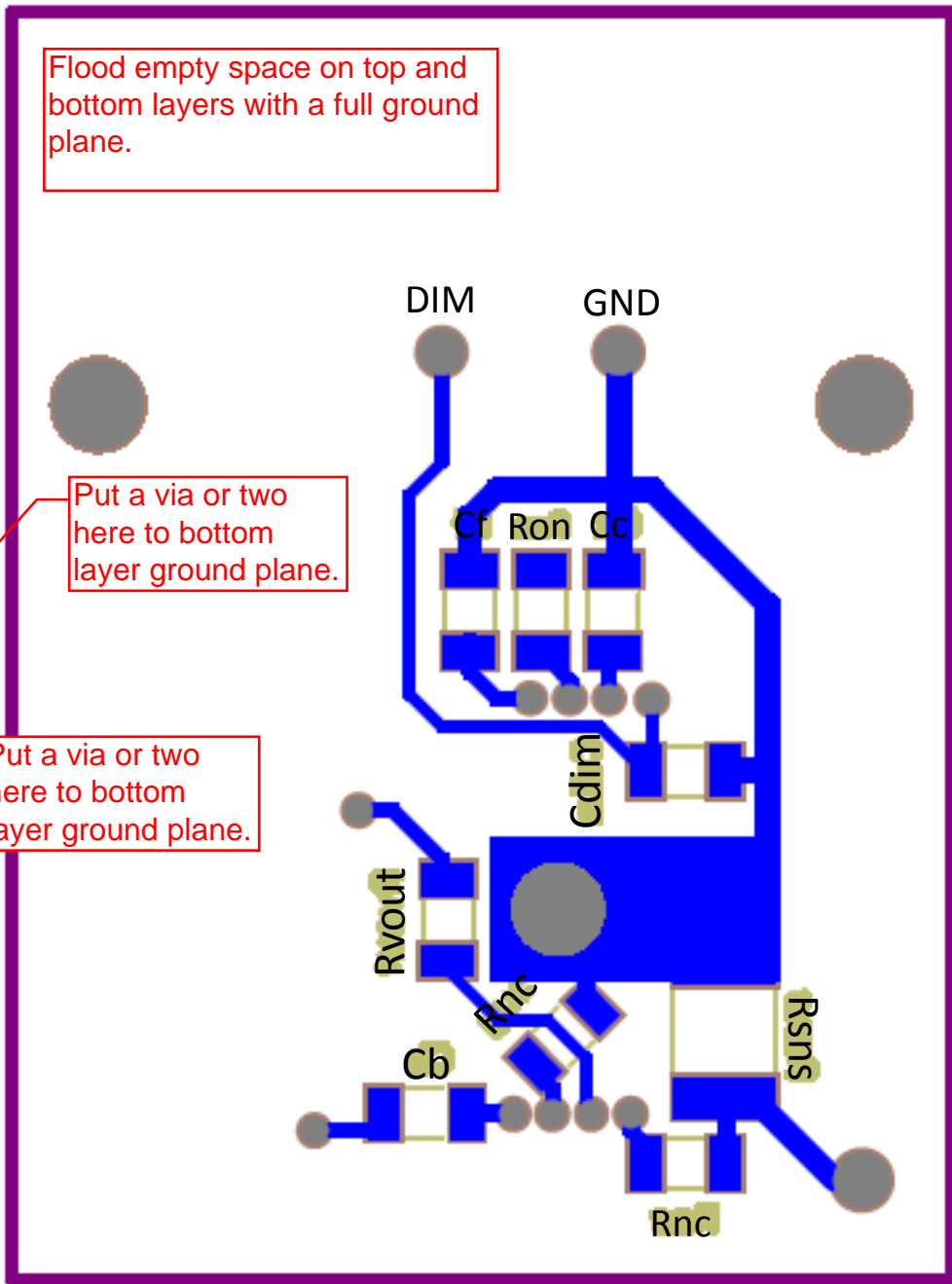


Rotate and move input caps here with grounds on the D3 side.

29.127 (mm)

21.59 (mm)



Flood empty space on top and bottom layers with a full ground plane.

Put a via or two here to bottom layer ground plane.

Put a via or two here to bottom layer ground plane.

| Comment    | Description                                      | Designator           | Footprint      | LibRef      | Quantity |
|------------|--|----------------------|----------------|-------------|----------|
| Cap        | Capacitor  | Cb, Cc, Cf           | 0805           | Cap         | 3        |
|            | Capacitor  | Cdim                 | 0805           | Cap         | 1        |
| Cap        | Capacitor  | Cin, Cin2            | 1210           | Cap         | 2        |
| LED2       | Typical RED, GREEN,<br>YELLOW, AMBER GaAs<br>LED | D2                   | LED            | LED2        | 1        |
| D Schottky | Schottky Diode                                   | D3                   | Diode_Schottky | D Schottky  | 1        |
| Diode      | Default Diode                                    | Ds1                  | Diode          | Diode       | 1        |
| Inductor   | Inductor   | L1                   | L-Inductance   | Inductor    | 1        |
| Header 4   | Header, 4-Pin                                    | P1                   | Header2        | Header 4    | 1        |
| Res1       | Resistor   | Rcs, Rnc, Ron, Rvout | 0805           | Res1        | 4        |
| Res1       | Resistor   | Rsns                 | 1210           | Res1        | 1        |
| LM3406     |  | U1                   | SOT14W         | Component_1 | 1        |
|            |  |                      |                |             |          |

### PCB Considerations

|                     |           |
|---------------------|-----------|
| Minimum Trace Width | 10 [mil]  |
| Maximum Trace Width | 21 [mil]  |
| Number of Layers    | 2         |
| PCB Thickness       | 1.6 [mm]  |
| Surface Finish PCB  | HASL free |