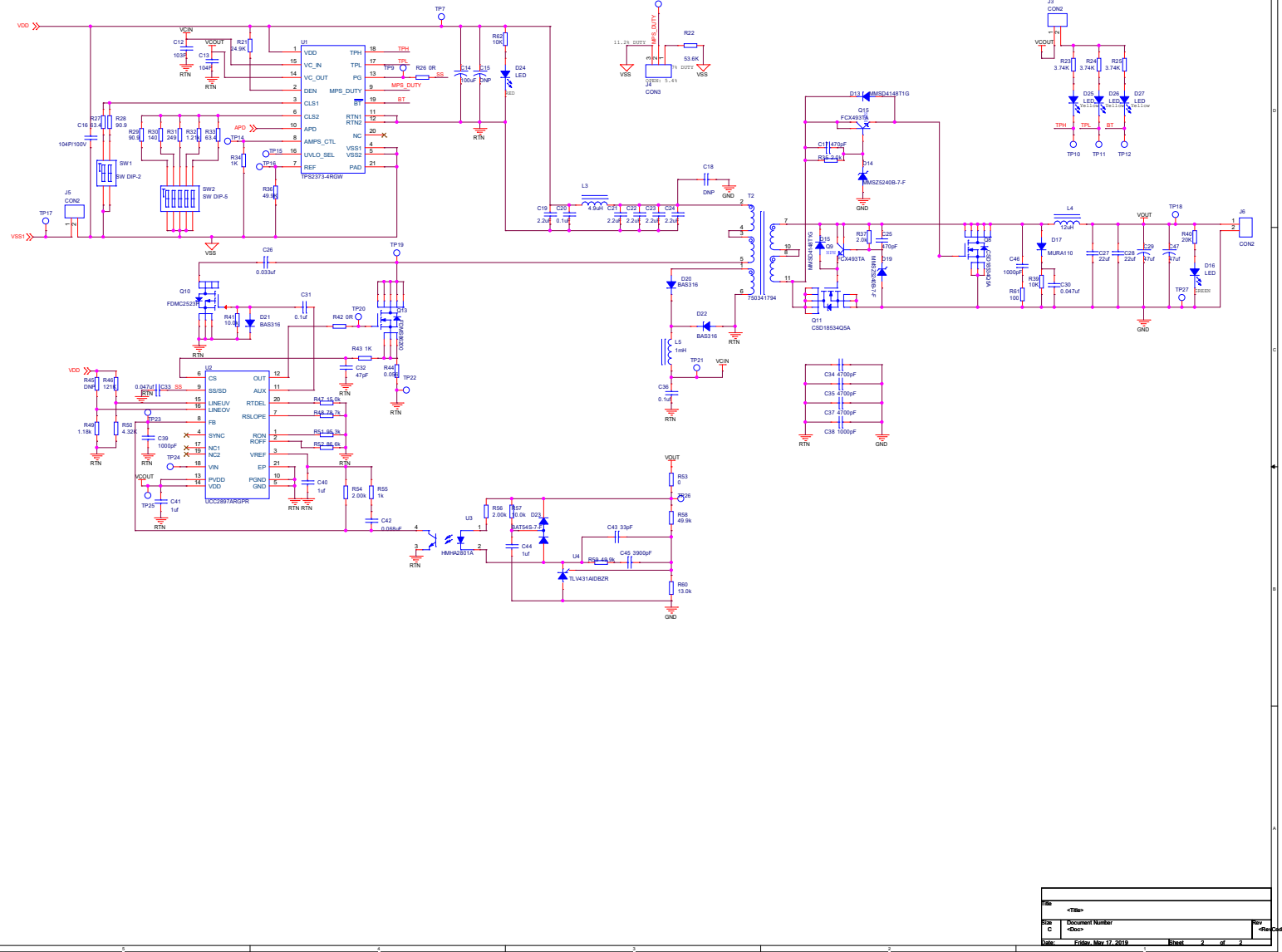


Title	<Title>
Size	B
Document Number	<Doc>
Date	Friday, April 19, 2019
Sheet	1 of 2



File	<Title>	Rev	<Rev>
Doc	Document Number		
C	<Doc>		
Date	Friday, Nov 17, 2017	Sheet	2 of 2