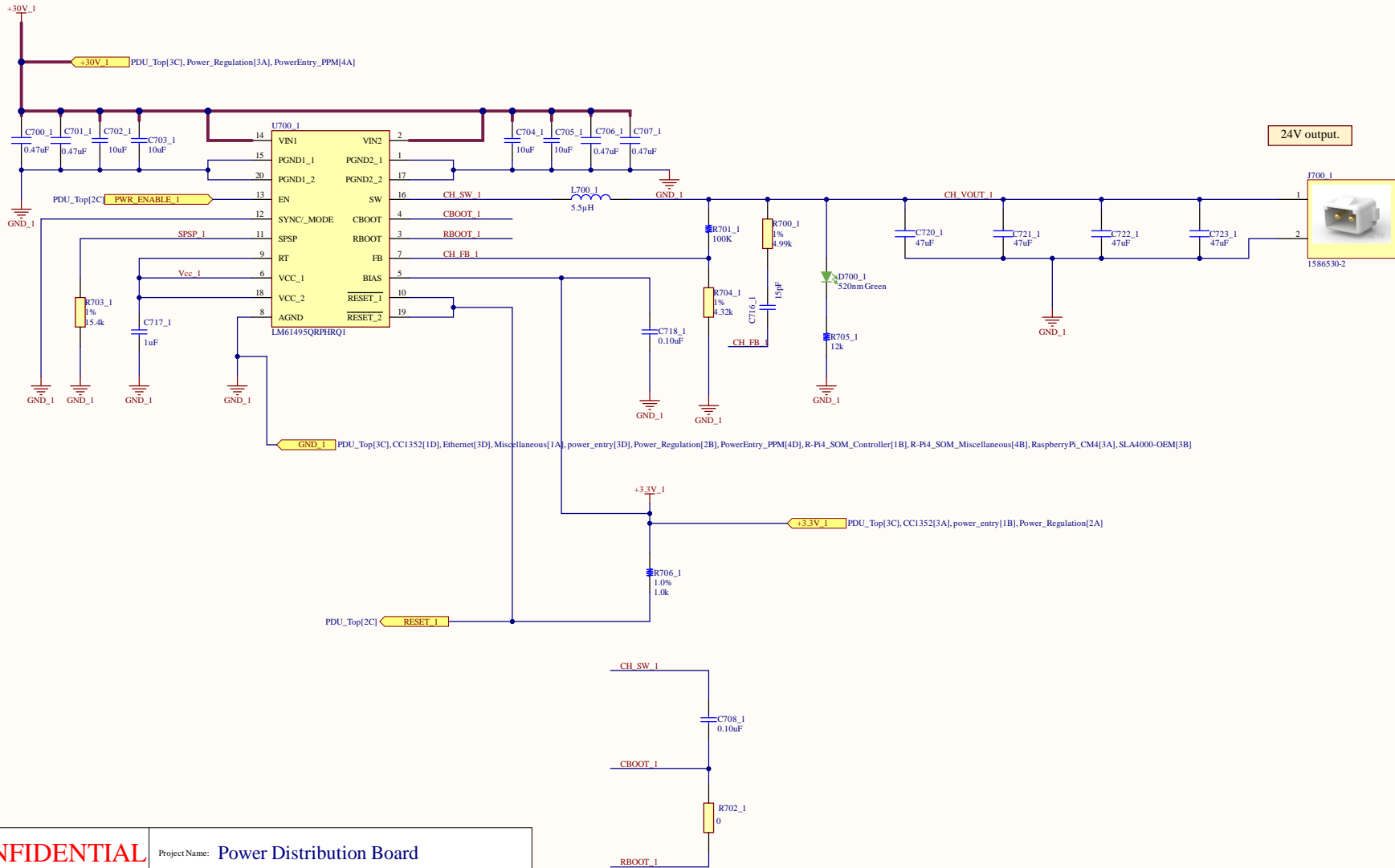


# Channel Output



**CONFIDENTIAL**

Project Name: **Power Distribution Board**

Title: **Channel Output Power**

Asymmetric Technologies  
6161 Riverside Dr  
Dublin, Oh

Size: 11x17 Number: 2.1 Revision: 2.1

Variant: PDU No RF Sheet: 12 of 20

Date: 3/3/2023 Time: 1:44:10 PM File: Channel\_Output\_Power.SchDoc

Engineer(s):

