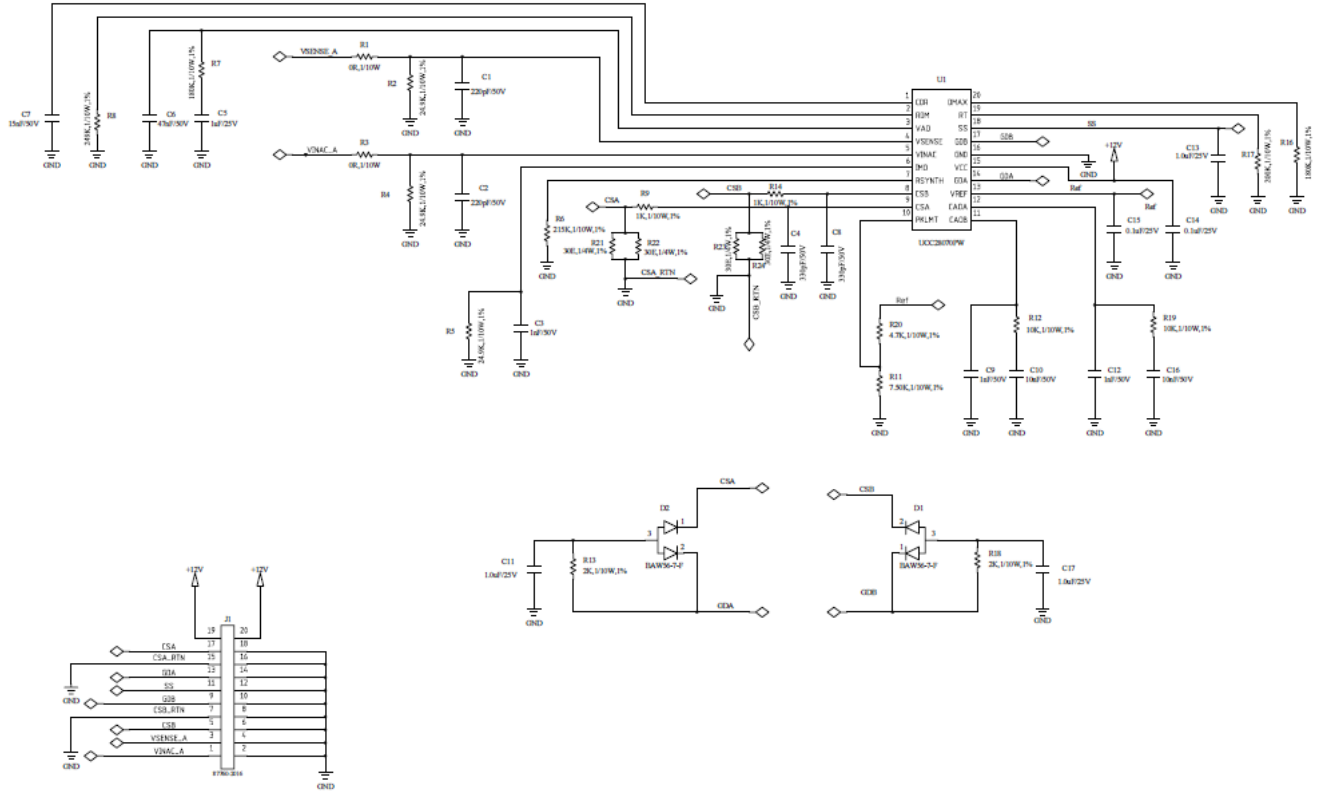
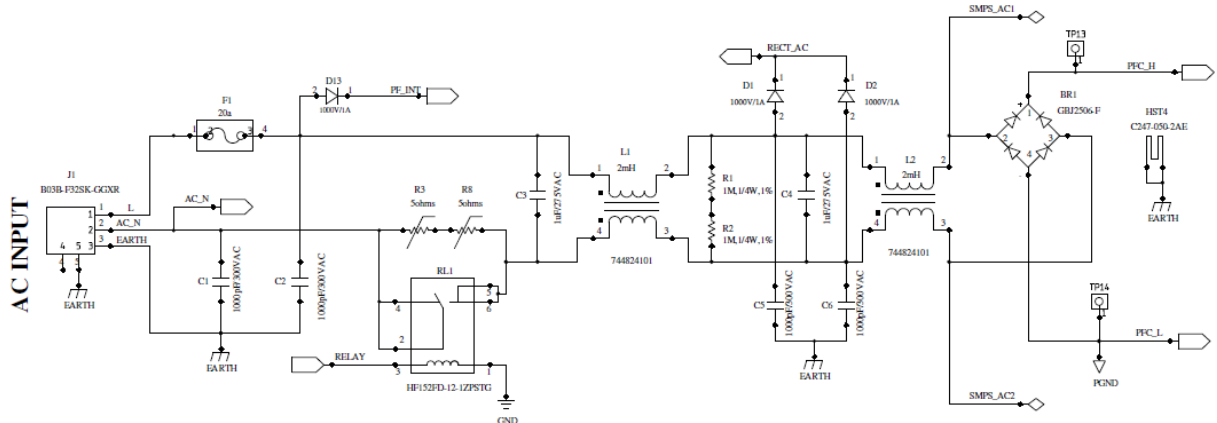


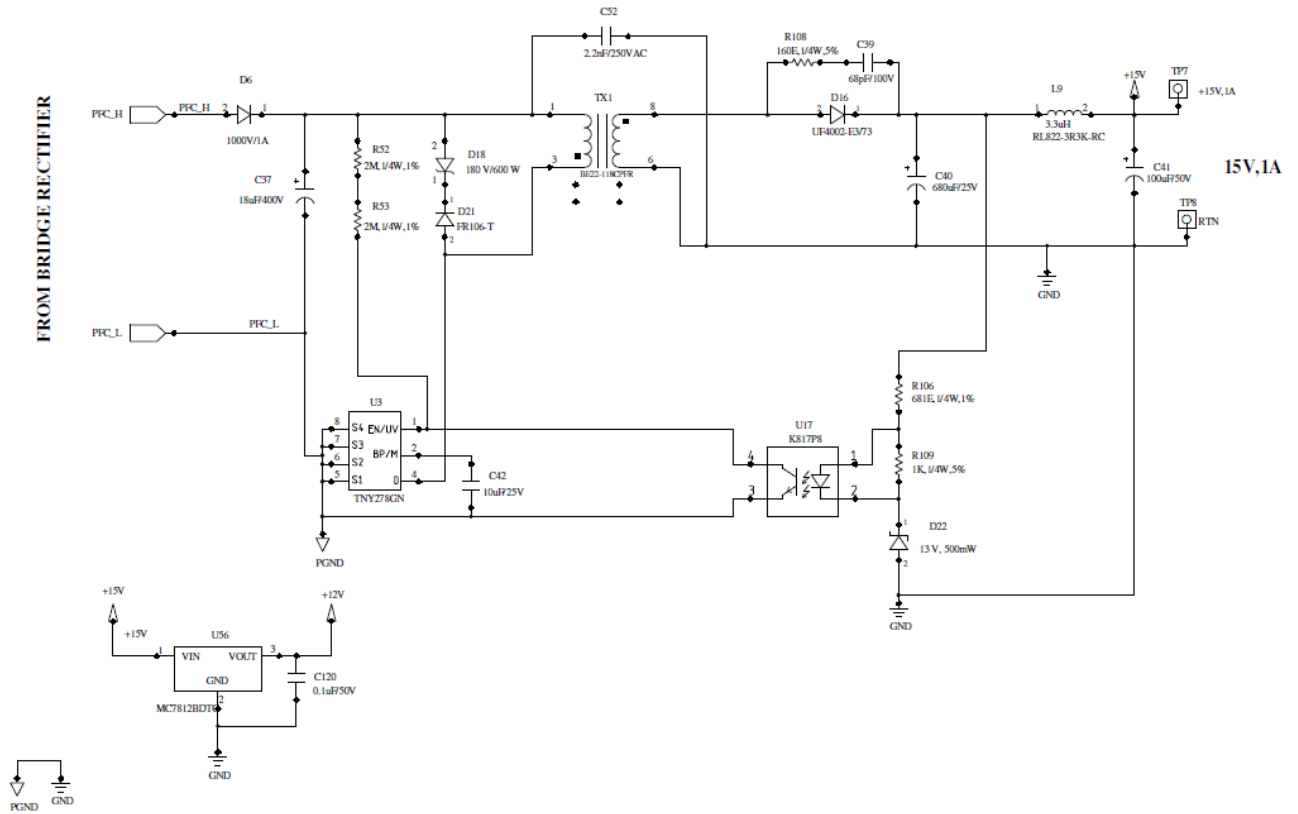
## PFC CONTROL BOARD

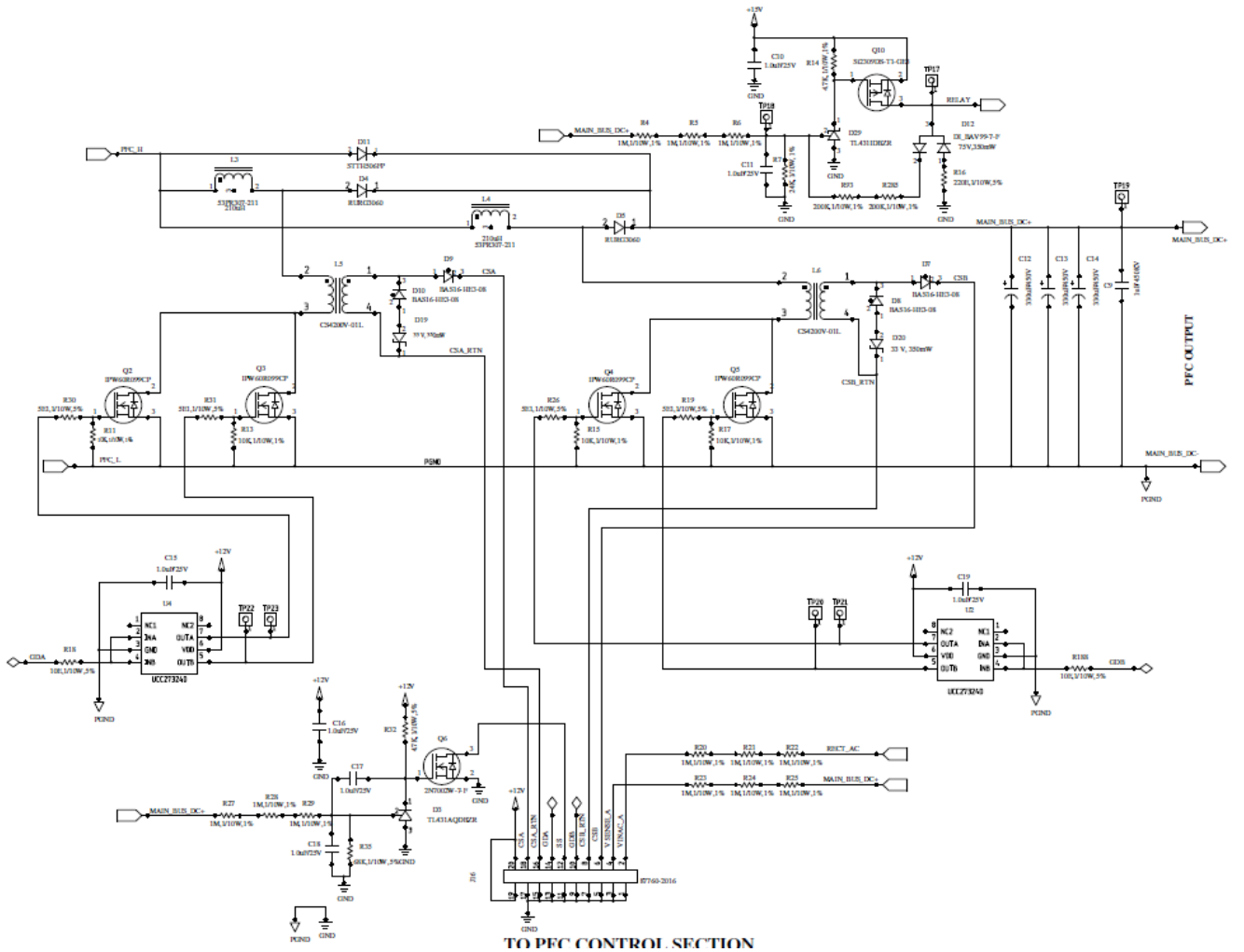


## AC INPUT FILTERING



# 15V SMPS SECTION





TO PFC CONTROL SECTION