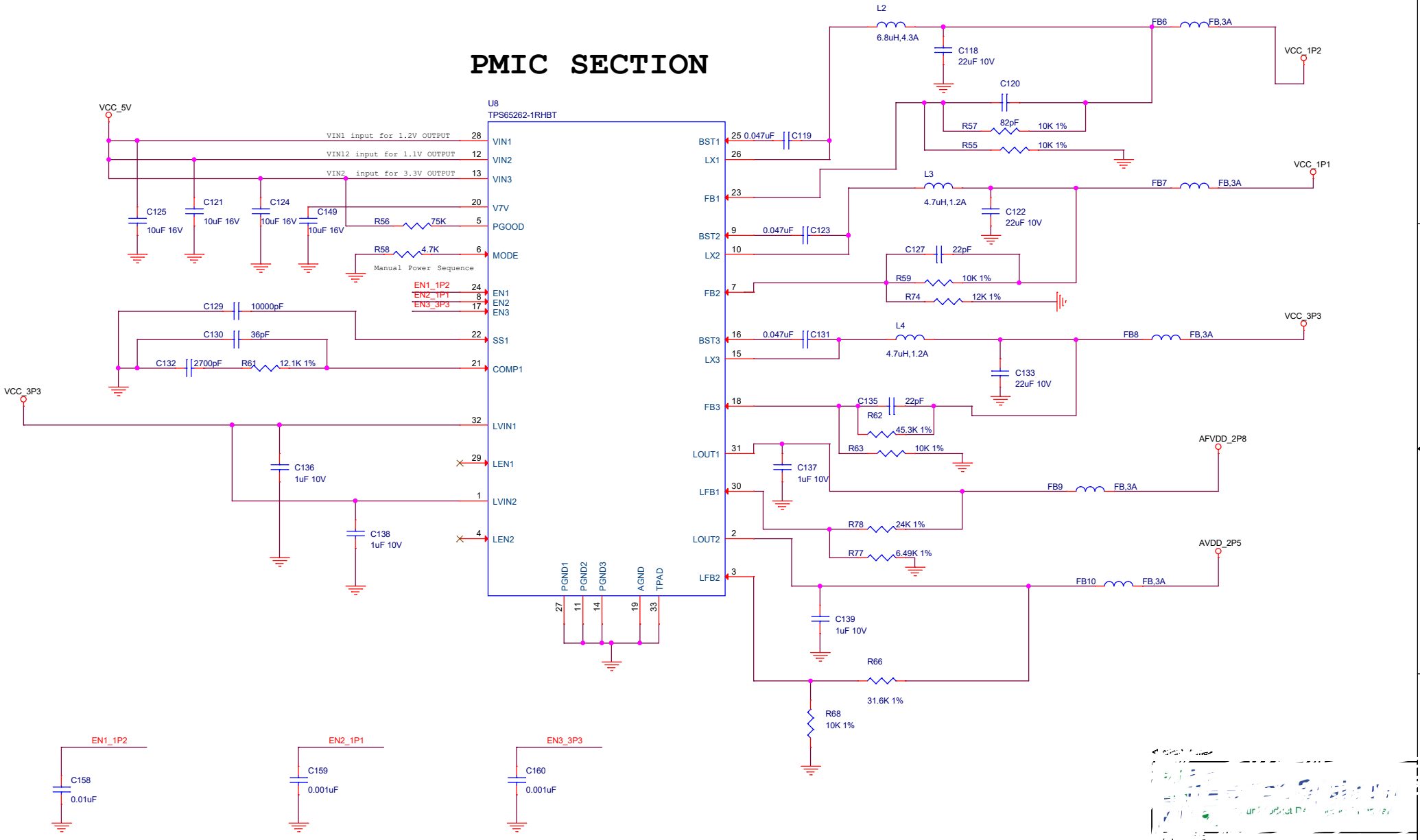


# PMIC SECTION



BUCK 1 set the Time Delay is 4.8mili Sec      BUCK 2 set the Time Delay is 0.48 mili Sec      BUCK 3 set the Time Delay is 0.48 mili Sec

