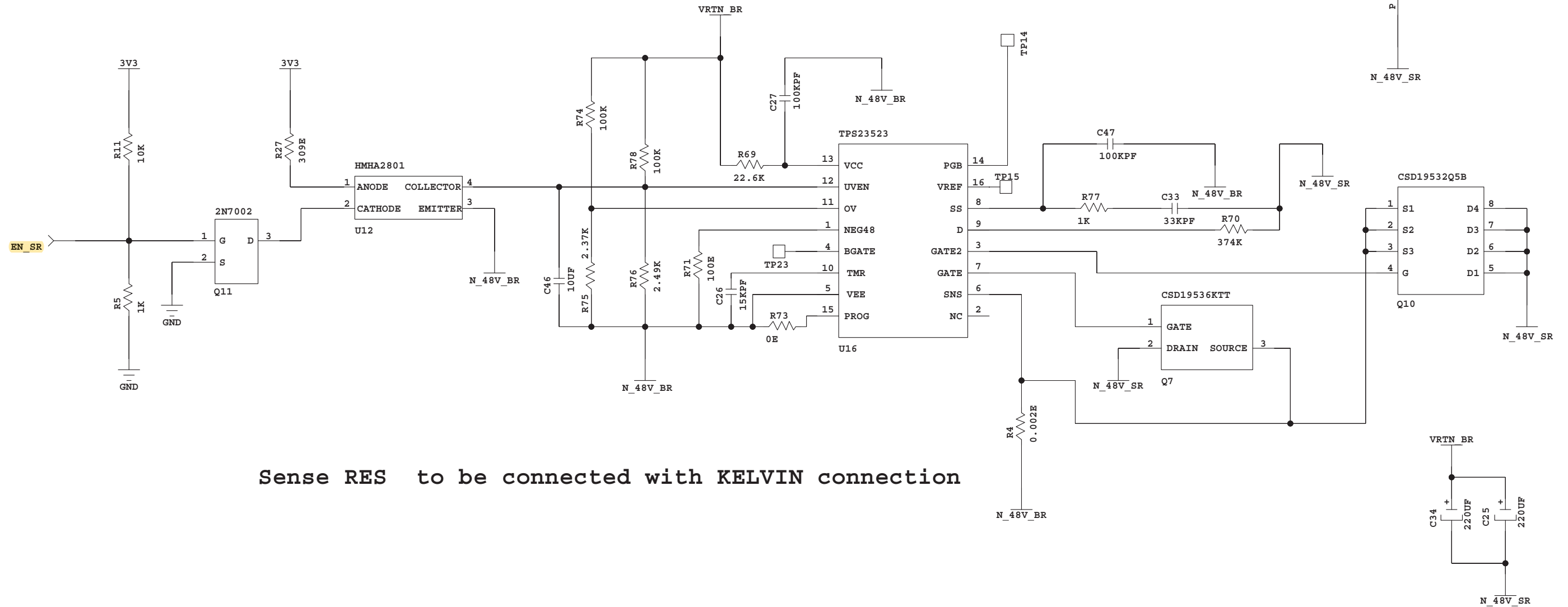
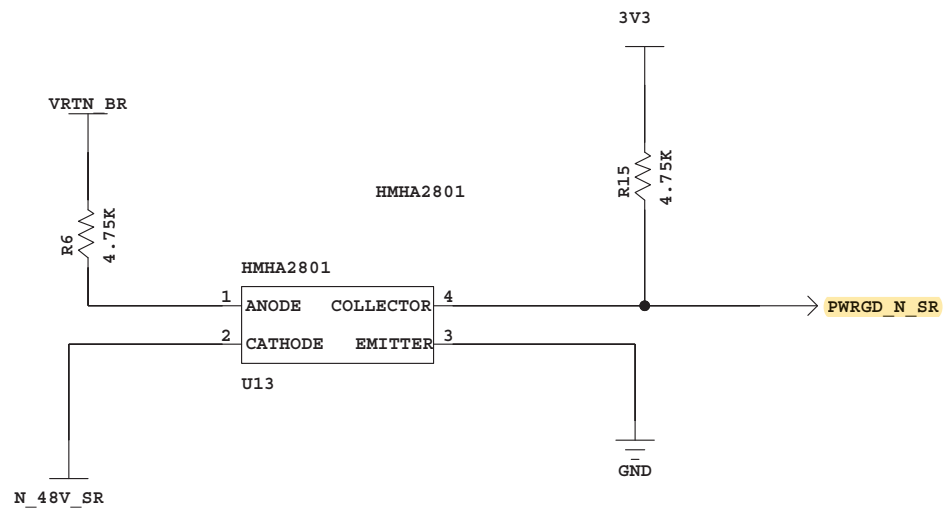



# HOT swap controller for SCM and line Cards



Sense RES to be connected with KELVIN connection



CHKD:	APPD:		
CARD NAME: BAYTOP CARD	ISSUE:	REV:	
CIRCUIT SCHEMATICS	01	00	
DWG.NO.: APC-XXXXXX/X-XXX (CS)			
 CENTRE FOR DEVELOPMENT OF TELEMATICS-DELHI	DATE: 11-03-2019		
	SHEET: 5 OF 11		