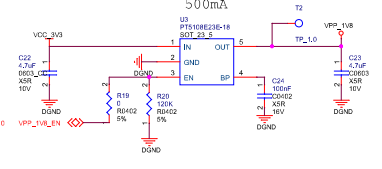
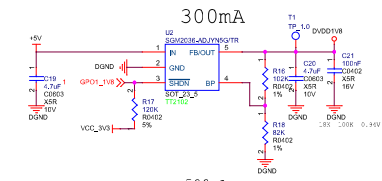
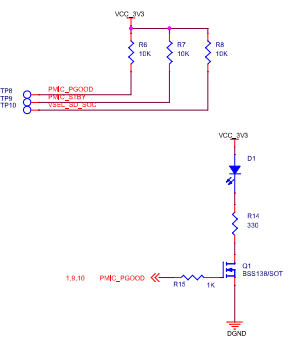
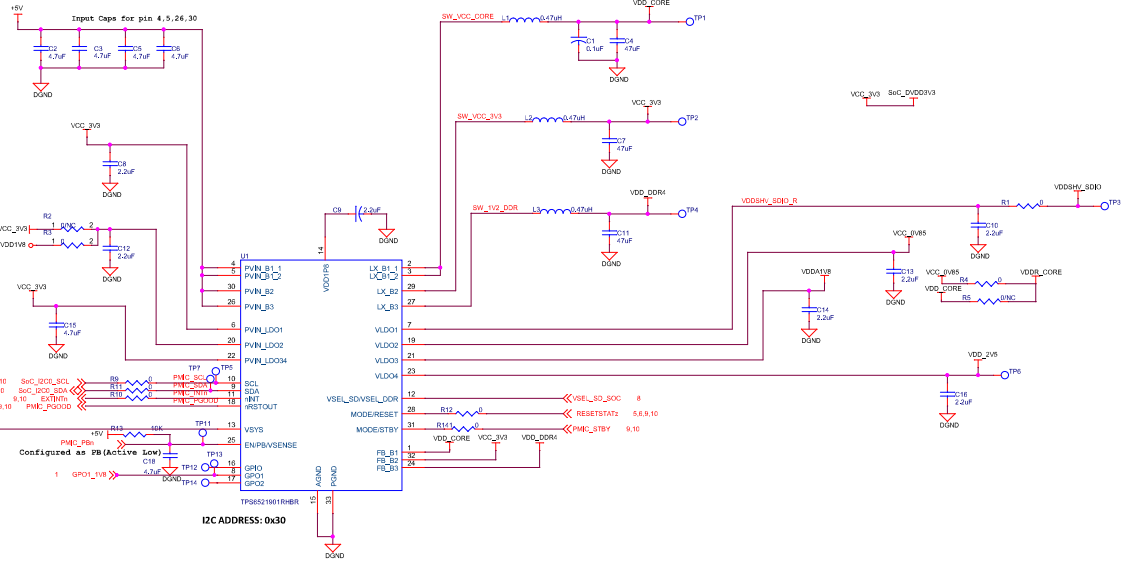
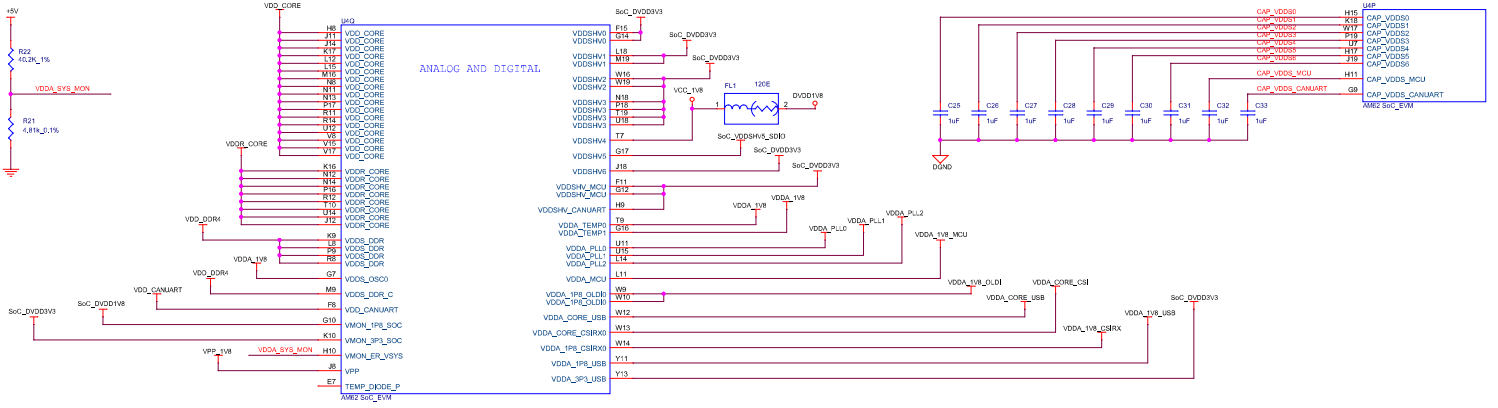


FULTON PMIC

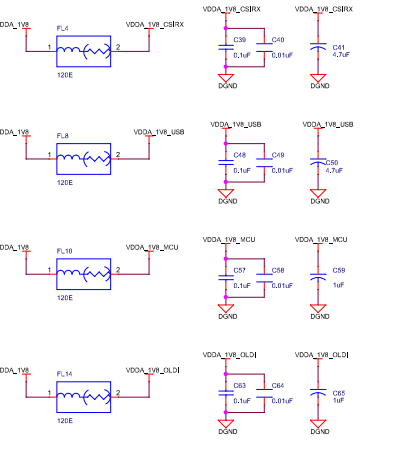
| PMIC REGULATORS | VOLTAGE RA1L | CURRENT (mA) |
|-----------------|-------------------------|--------------|
| BUCK 1 | VCC_CORE (0.75V) | 3500 |
| BUCK 2 | VCC_3V3 | 2000 |
| BUCK 3 | VDD_1V8 | 2000 |
| LDO 1 | VDESWY_5010 (3.3V/1.8V) | 400 |
| LDO 2 | VDDR_CORE (0.85V) | 400 |
| LDO 3 | VDDA_1V8 | 300 |
| LDO 4 | VDD_2V5 | 300 |



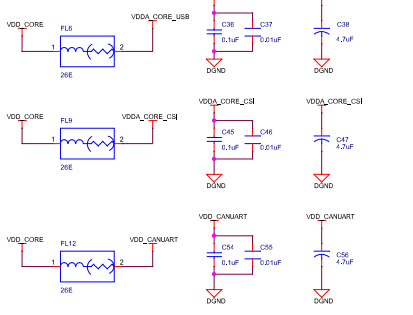
SOC POWER



1.8V Analog SUPPLY



CORE SUPPLY



3.3V/1.8V MMCI SUPPLY



| | | | |
|--|---------------------------------------|--------------|-------|
| HZHY Electronic Technology Ltd. | | | |
| Title: HZHY-CORE-AM23X_V1.0 | | | |
| Page Contents: -Page Contents- | | | |
| Size: C | Doc No: HZHY_ALLWINNER_TEST_BOARD_V03 | Release: 0.0 | |
| Date: Monday, April 21, 2025 | Sheet: 2 | | of 10 |