

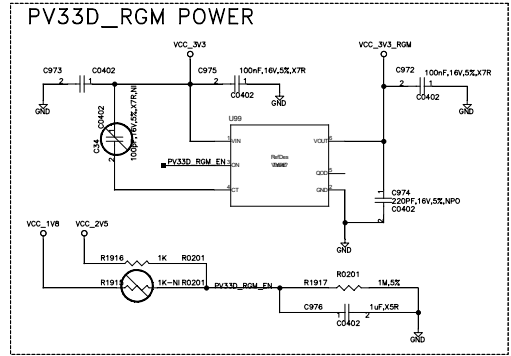
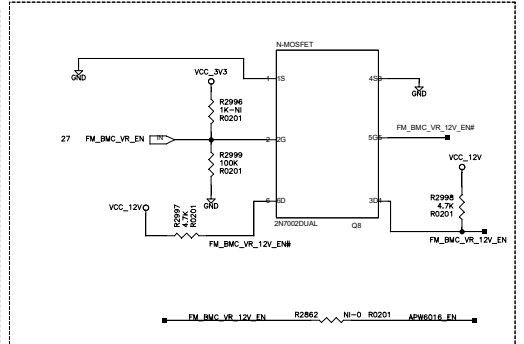
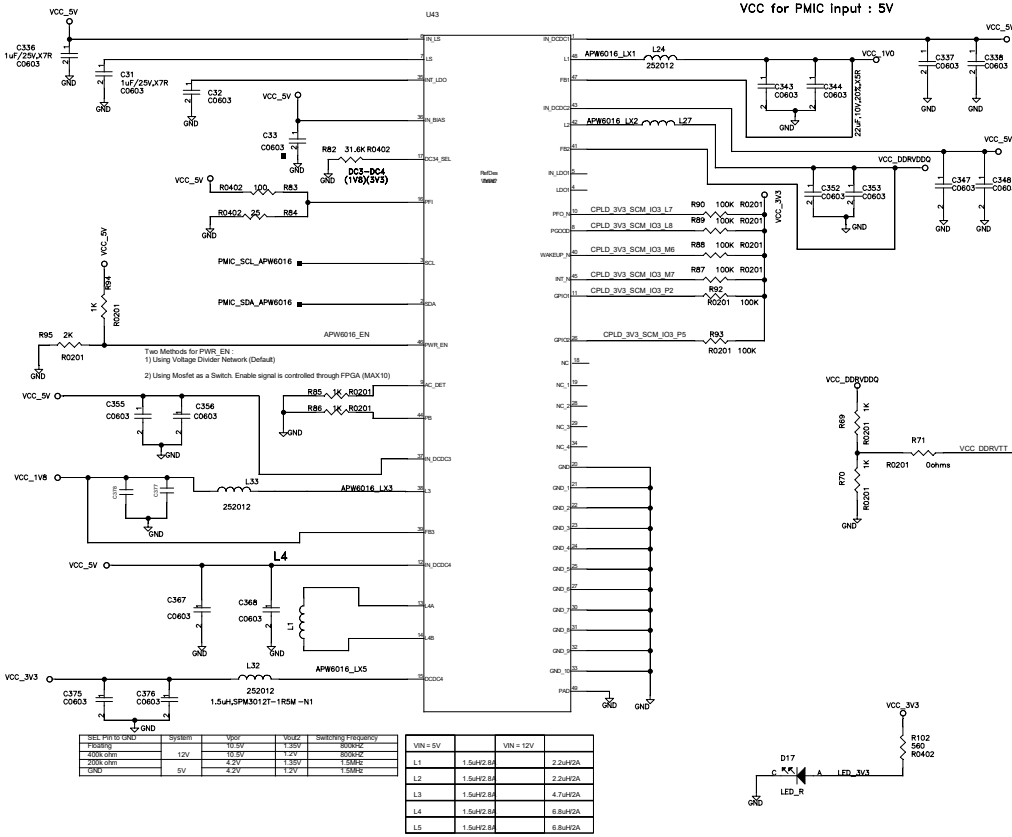
DEFAULT INSTALL

TPS65216
I2C_ADD: 0X12

6,12,17,38 SCL15 \rightarrow R2021 R1903 0 PMIC_SCL_APW6016
6,12,17,38 SDA15 \rightarrow R2021 R1904 0 PMIC_SDA_APW6016

L1

VCC for PMIC Input : 5V



PMIC	
Doc#	DOCUMENT NUMBER
Rev	ZOH0 DC-SCM 2.0
Date	TRUSSAR, WATER 30, 2023
Sheet	40 of 41
@PRINTORDER=41	