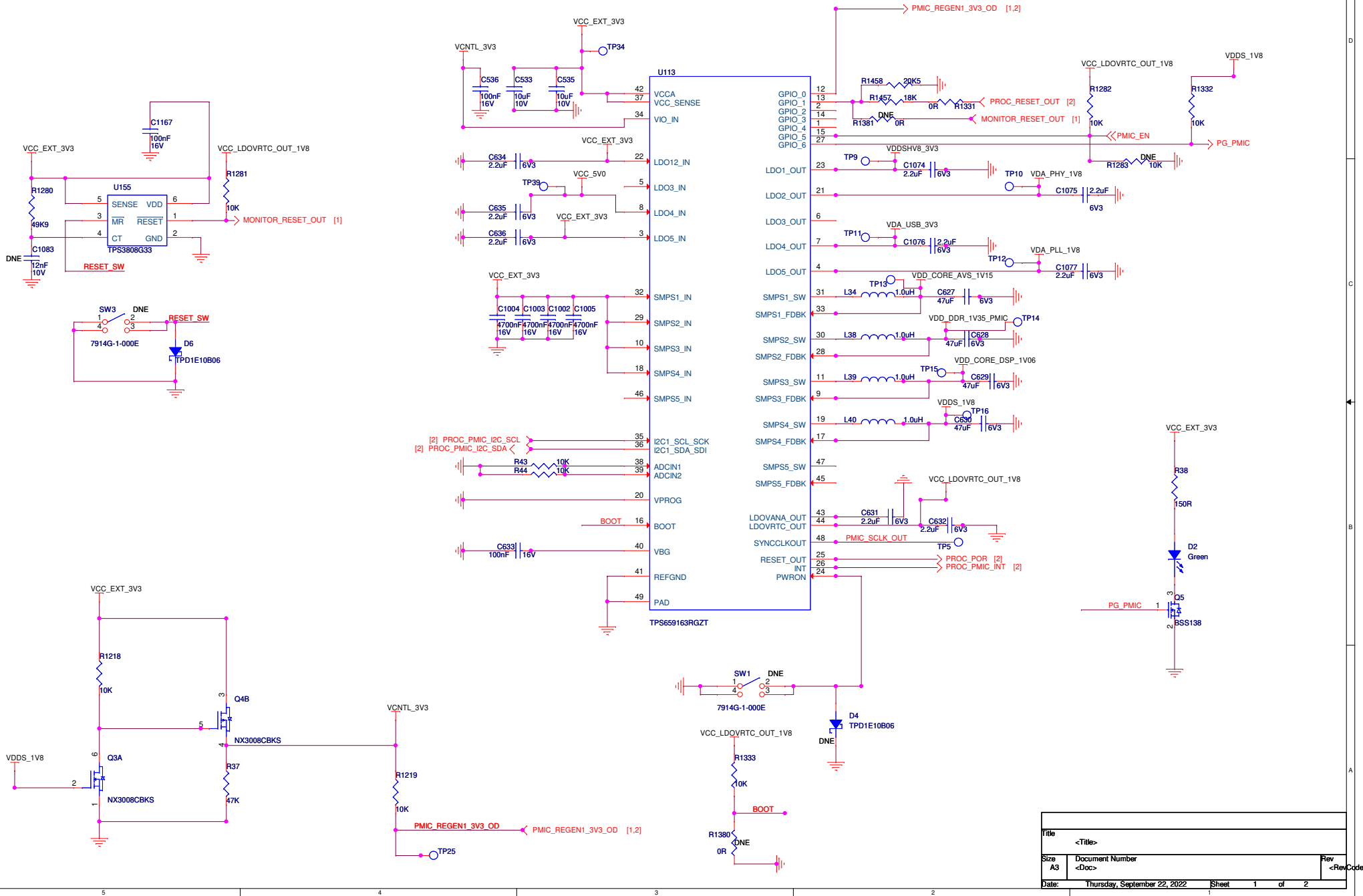
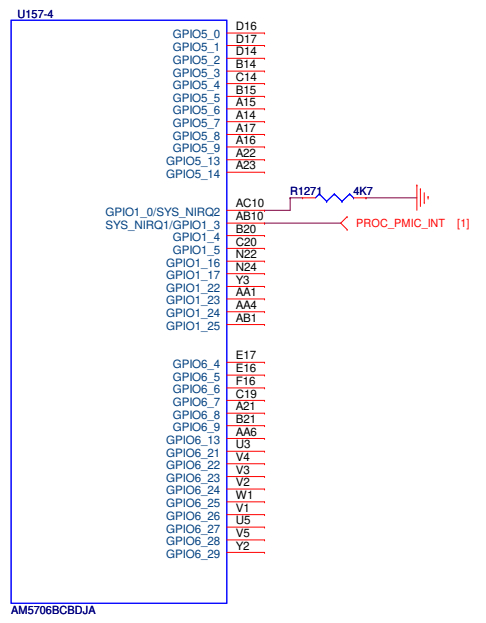
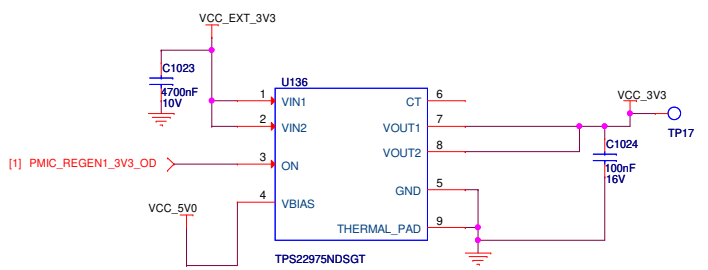
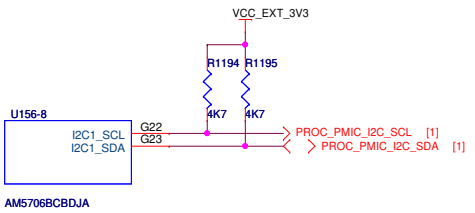
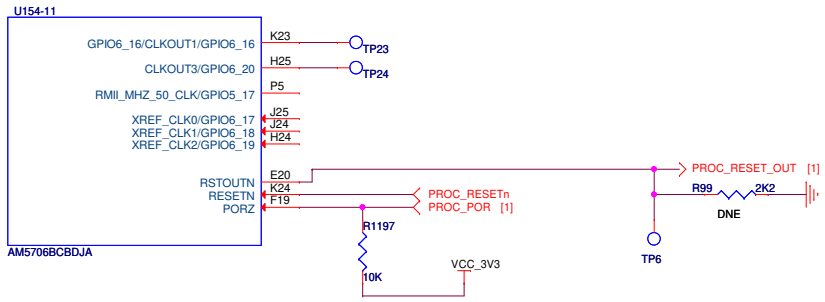


PMIC



Title	<Title>	Rev	<Rev Code>
Size	A3	Document Number	<Doc>
Date:	Thursday, September 22, 2022	Sheet	1 of 2



Title	<Title>	
Size	Document Number	Rev
A3	<Doc>	<Rev Code>
Date:	Thursday, September 22, 2022	Sheet 2 of 2