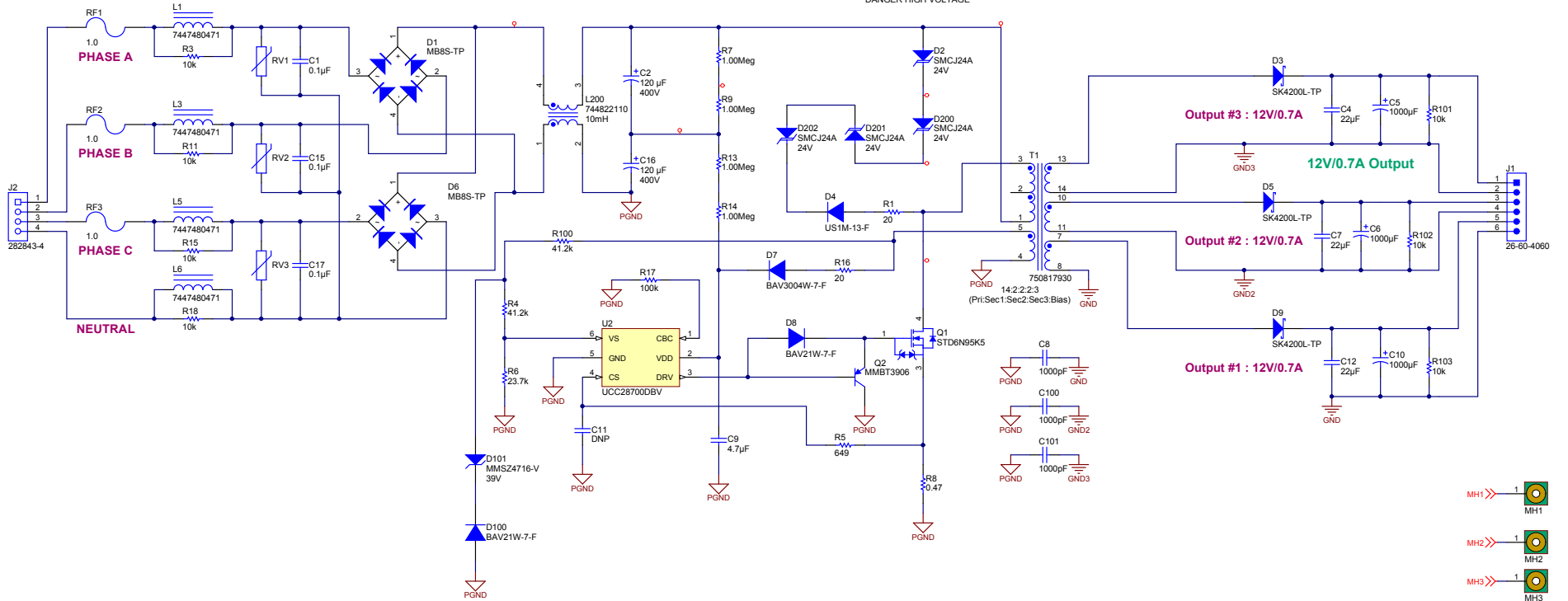
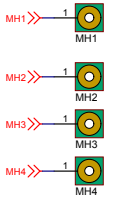


Assembly Notes:

85VAC-250VAC L-N Input
200VAC-480VAC L-L Input



PRELIMINARY



PCB Number: PRJ_Number
PCB Rev: PCB_Rev

Texas Instruments and/or its licensors do not warrant the accuracy or completeness of this specification or any information contained therein. Texas Instruments and/or its licensors do not warrant that this design will meet the specifications, will be suitable for your application or fit for any particular purpose, or will operate in an implementation. Texas Instruments and/or its licensors do not warrant that the design is production worthy. You should completely validate and test your design implementation to confirm the system functionality for your application.

Number: PRJ_Number	Rev: SCH	Designed for: PRJ_Customer	Mod. Date: 3/19/2015
SVN Rev: Not in version control	File: P1P10344_REV.C	Project Title: PRJ_Title	Sheet: 1 of 1
Drawn By: PRJ_Engineer	Engineer: PRJ_Engineer	Assembly Variant: Variant name not interpreted	Size: B
		Contact: TechSupport	© Texas Instruments. Copyright Year

