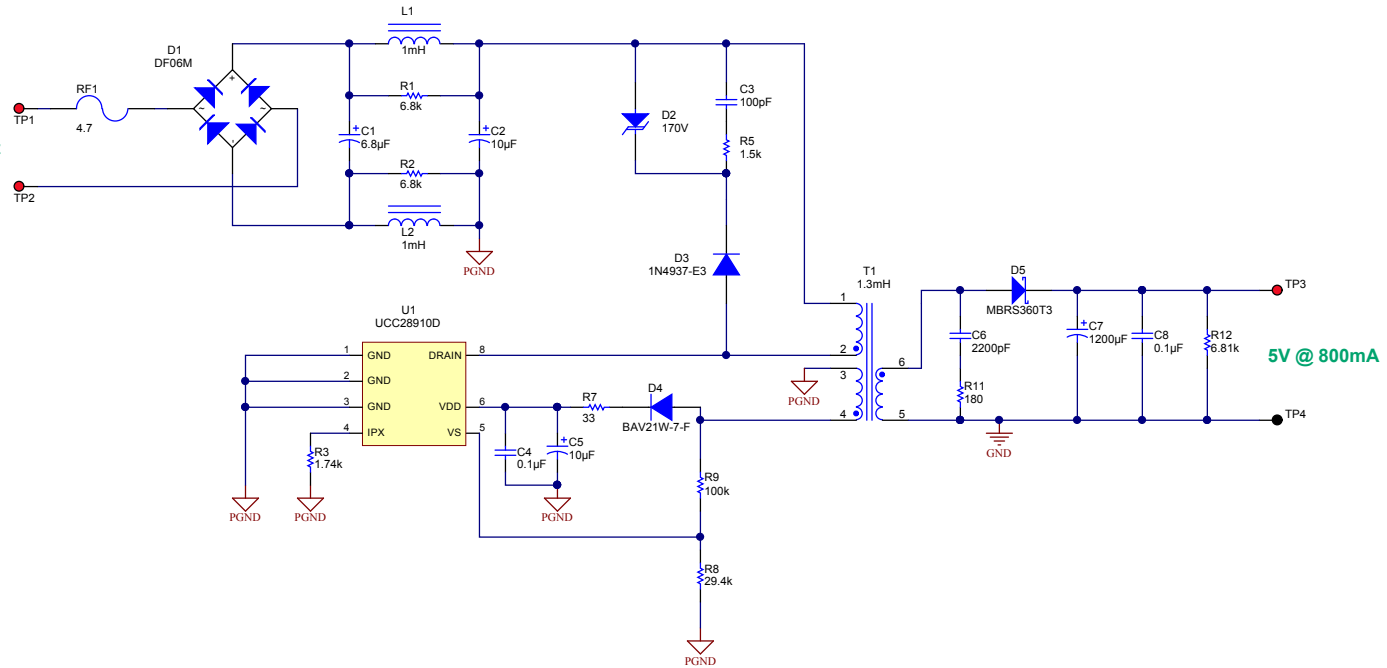


85VAC-265VAC Input



Texas Instruments and/or its licensors do not warrant the accuracy or completeness of this specification or any information contained therein. Texas Instruments and/or its licensors do not warrant that this design will meet the specifications, will be suitable for your application or fit for any particular purpose, or will operate in an implementation. Texas Instruments and/or its licensors do not warrant that the design is production worthy. You should completely validate and test your design implementation to confirm the system functionality for your application.

Designed for: Public Release		Mod. Date: 10.12.2015	
Project Title: Universal Input to 5V @ 800mA			
Sheet Title: Universal Input to 5V @ 800mA			
Number: PMP11787	Rev: A	Assembly Variant: [No Variations]	Sheet: 1 of 1
Drawn By: R. Scibilia	File: PMP11787 Rev. A Schematic.SchDoc	Size: B	http://www.ti.com
Engineer: R. Scibilia	Contact: http://www.ti.com/support	© Texas Instruments, 2016	