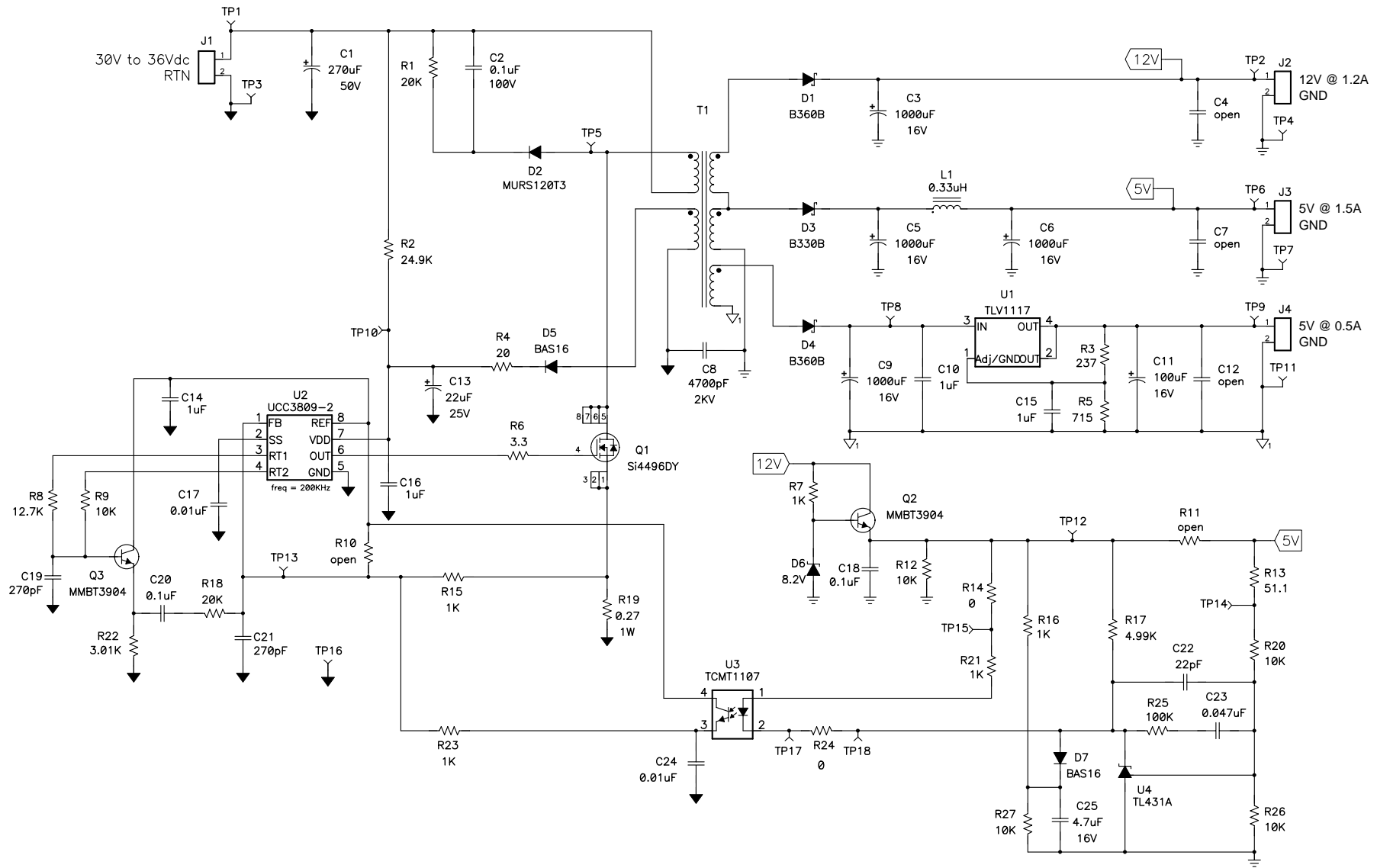


- NOTES:
 1) Preliminary Schematic
 2) R13, R14 and R24 are for test purposes only.



| | | | | | |
|----------|-----------------|----------|---------------------|--|--|
| Title | | | Isolated CM Flyback | | |
| Size | Number | Rev | | | |
| C | PMP1592 | A | | | |
| Date | 10/28/05 | Drawn by | J Betten | | |
| Filename | PMP1592REVA.sch | Sheet | 1 of 1 | | |