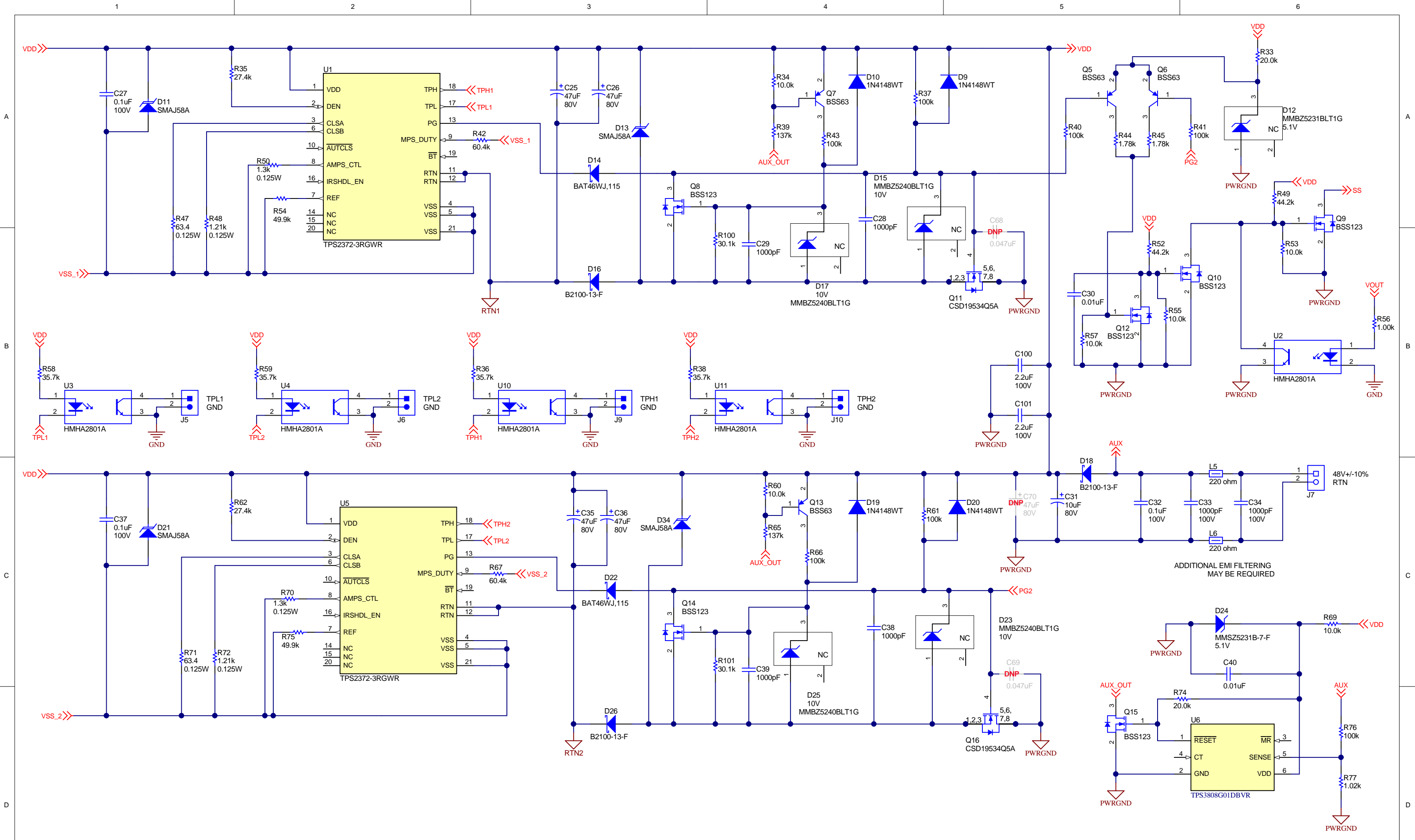


Texas Instruments and/or its licensors do not warrant the accuracy or completeness of this specification or any information contained therein. Texas Instruments and/or its licensors do not warrant that this design will meet the specifications, will be suitable for your application or fit for any particular purpose, or will operate in an implementation. Texas Instruments and/or its licensors do not warrant that the design is production worthy. You should completely validate and test your design implementation to confirm the system functionality for your application.

Orderable:	Designed for: Public Release	Mod. Date: 10/2/2018
TID #: N/A	Project Title: Dual-Input Redundant PoE with Smooth Transition	
Number: PMP20859	Rev: F	Sheet Title: PoE Front End
SVN Rev: Version control disabled	Assembly Variant: 001	Sheet: 1 of 3
Drawn By:	File: PMP20859_RevF_SH1.SchDoc	Size: B
Engineer: D Strasser	Contact: N/A	



© Texas Instruments 2018



Texas Instruments and/or its licensors do not warrant the accuracy or completeness of this specification or any information contained therein. Texas Instruments and/or its licensors do not warrant that this design will meet the specifications, will be suitable for your application or fit for any particular purpose, or will operate in an implementation. Texas Instruments and/or its licensors do not warrant that the design is production worthy. You should completely validate and test your design implementation to confirm the system functionality for your application.

Orderable:	Designed for: Public Release	Mod. Date: 10/9/2018
TID #: N/A	Project Title: Dual-Input Redundant PoE with Smooth Transition	
Number: PMP20859	Rev: F	Sheet Title: PoE PD's and Seamless Switching
SVN Rev: Version control disabled		Assembly Variant: 001
Drawn By:	File: PMP20859_RevF_SH2.SchDoc	Sheet: 2 of 3
Engineer: D Strasser	Contact: N/A	Size: B



© Texas Instruments 2018

