


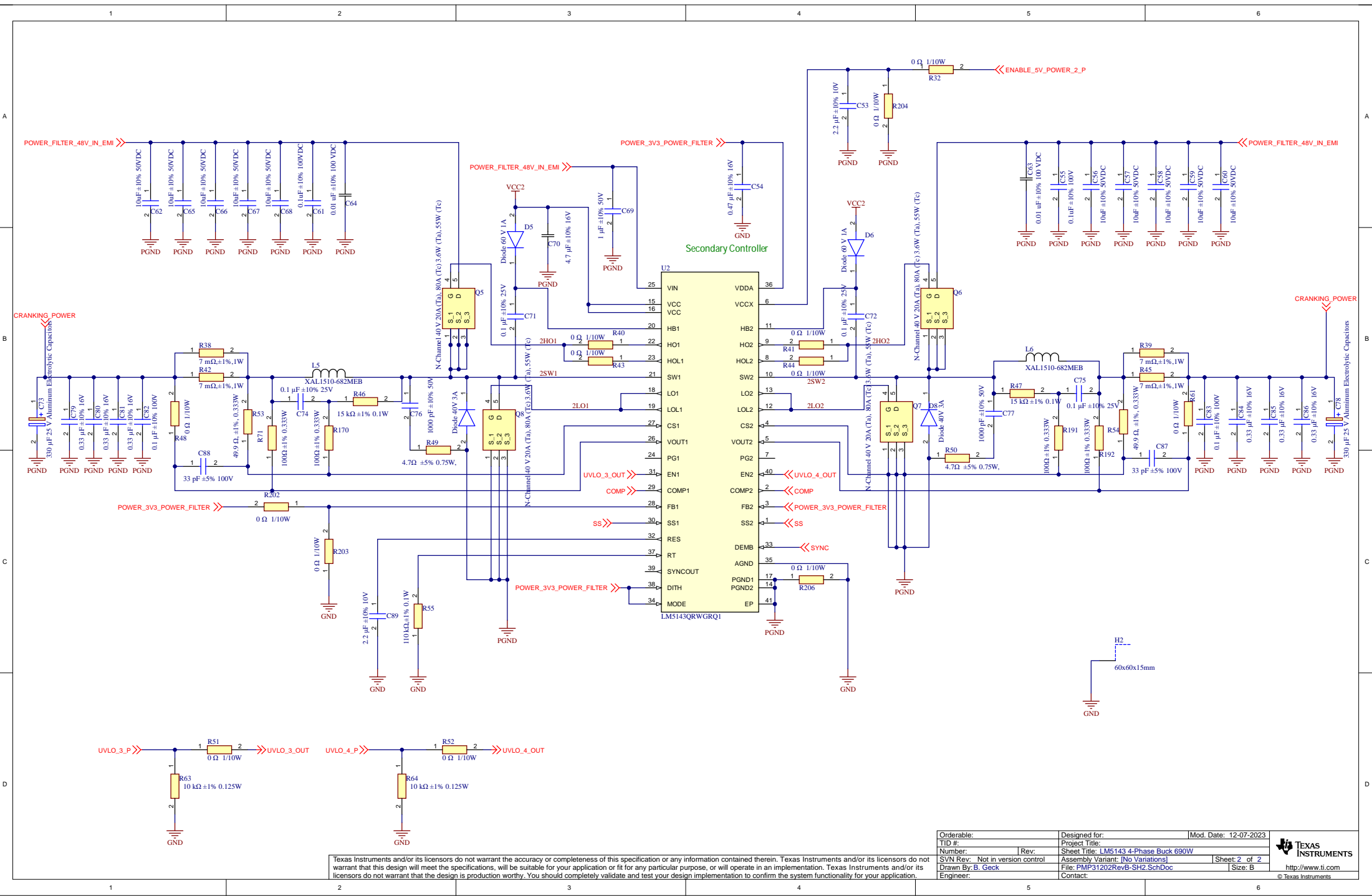
Texas Instruments and/or its licensors do not warrant the accuracy or completeness of this specification or any information contained therein. Texas Instruments and/or its licensors do not warrant that this design will meet the specifications, will be suitable for your application or fit for any particular purpose, or will operate in an implementation. Texas Instruments and/or its licensors do not warrant that the design is production worthy. You should completely validate and test your design implementation to confirm the system functionality for your application.

Orderable:	Designed for:	Mod. Date:	17-07-2023
TID #:	Project Title:	LM5143 4-Phase Buck 690W	
Number:	Rev:	Assembly Variant:	[No Variations]
SVN Rev:	Not in version control	File:	PMP31202RevB-SHT_SchDoc
Drawn By:	B. Geck	Contact:	
Engineer:		Sheet:	1 of 2
		Size:	B



<http://www.ti.com>

 © Texas Instruments



Texas Instruments and/or its licensors do not warrant the accuracy or completeness of this specification or any information contained therein. Texas Instruments and/or its licensors do not warrant that this design will meet the specifications, will be suitable for your application or fit for any particular purpose, or will operate in an implementation. Texas Instruments and/or its licensors do not warrant that the design is production worthy. You should completely validate and test your design implementation to confirm the system functionality for your application.

Orderable:	Designed for:	Mod. Date:	12-07-2023
TID #:	Project Title:	LM5143 4-Phase Buck 690W	
Number:	Rev:	Assembly Variant:	[No Variations]
SVN Rev:	Not in version control	File:	PMP31202RevB-SH2_SchDoc
Drawn By:	B. Geck	Size:	B
Engineer:		Contact:	



http://www.ti.com
© Texas Instruments