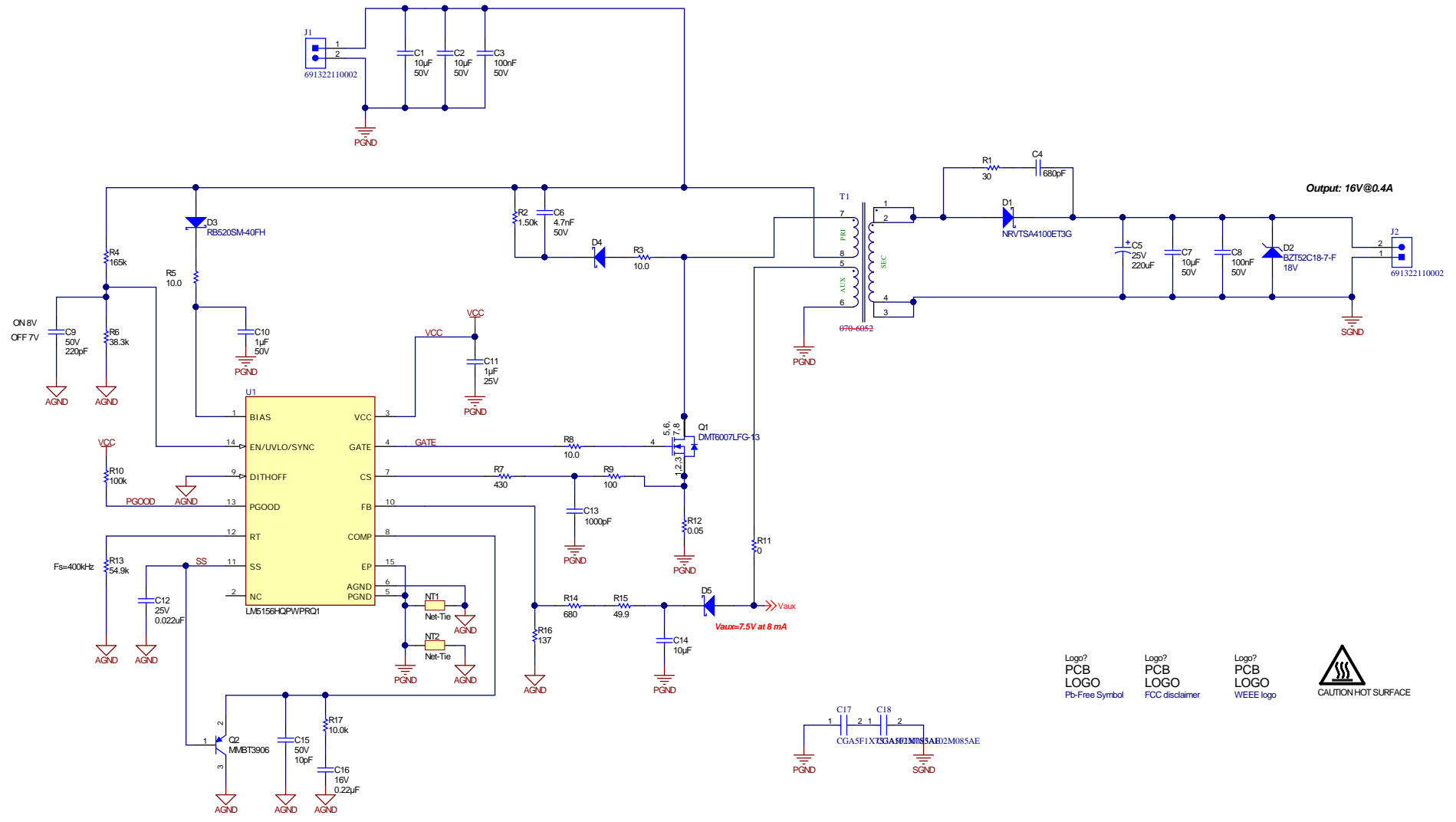


Input: 10-16V, 12 normal

Output: 16V@0.4A



Logo? PCB LOGO Pb-Free Symbol  
 Logo? PCB LOGO FCC disclaimer  
 Logo? PCB LOGO WEEE logo  
 CAUTION HOT SURFACE

Texas Instruments and/or its licensors do not warrant the accuracy or completeness of this specification or any information contained therein. Texas Instruments and/or its licensors do not warrant that this design will meet the specifications, will be suitable for your application or fit for any particular purpose, or will operate in an implementation. Texas Instruments and/or its licensors do not warrant that the design is production worthy. You should completely validate and test your design implementation to confirm the system functionality for your application.

Orderable: <a href="#">ChangeMe in variant</a>	Designed for: <a href="#">Public Release</a>	Mod. Date: 2021/12/20
TID #: N/A	Project Title:	
Number:	Rev. A	Sheet Title:
SVN Rev: Not in version control	Assembly Variant: 001	Sheet 1 of 1
Drawn By:	File: PMP410US_SCH-SchDoe	Size: B
Engineer:	Contact: <a href="http://www.ti.com/support">http://www.ti.com/support</a>	

