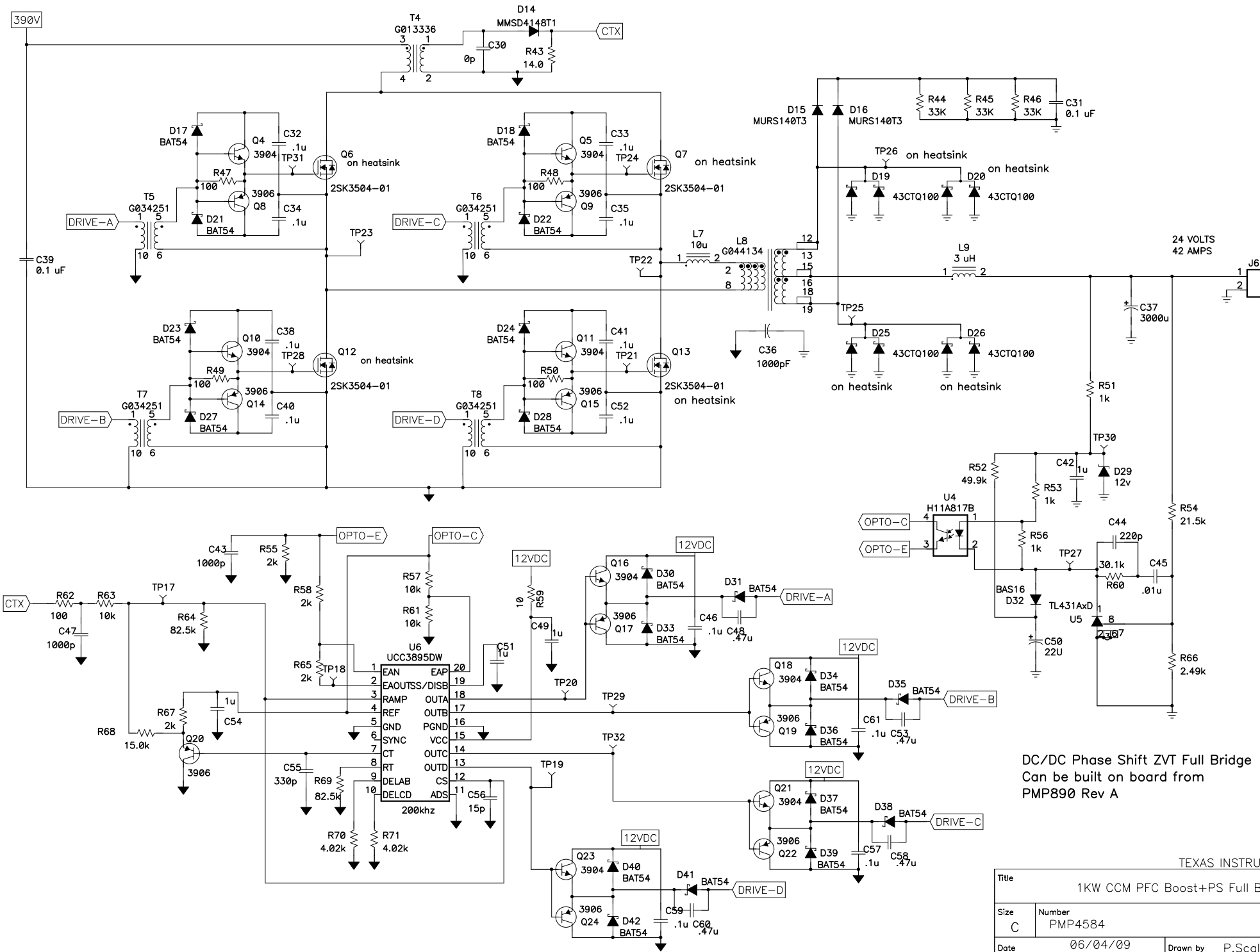


AC/DC Average Current Mode CCM Boost can be built on board from PMP2552 Rev_B

- Note:
- Removed RT3 and RT4.
 - R27 changed to 1K

Title		
1kW CCM PFC Boost+PS Full Bridge		
Size	Number	Rev
C	PMP4584	A
Date	06/04/09	Drawn by P.Scalia
Filename	PMPStauder Rev_A.SCH	Sheet 1 of 2



DC/DC Phase Shift ZVT Full Bridge
 Can be built on board from
 PMP890 Rev A

TEXAS INSTRUMENTS		
Title 1kW CCM PFC Boost+PS Full Bridge		
Size C	Number PMP4584	Rev A
Date 06/04/09	Drawn by P.Scalia	
Filename PMPStauder Rev_A.SCH	Sheet 2 of 2	