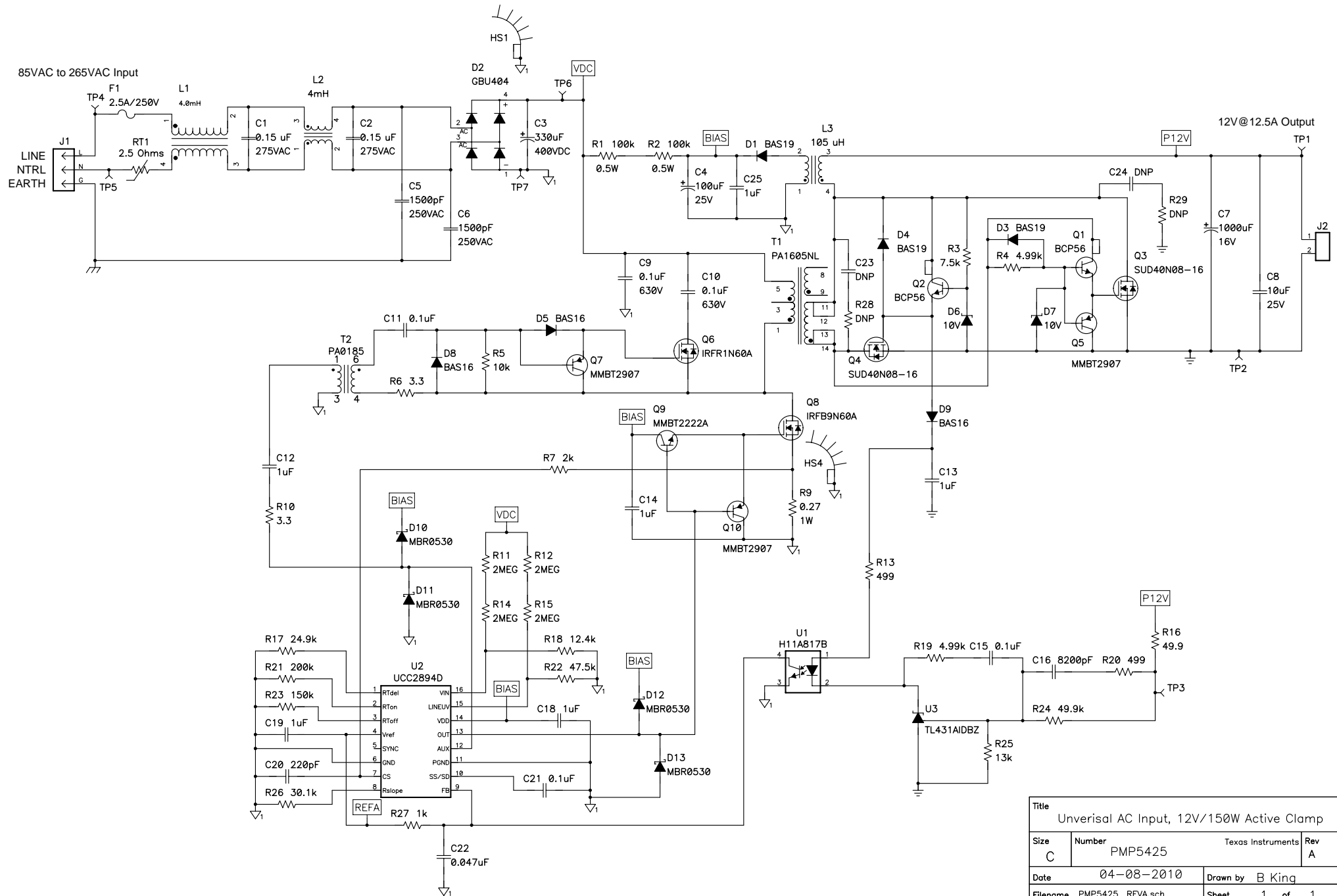


Notes:  
 1) Built on PMP1543 Rev A PWB.



Title			
Unverisal AC Input, 12V/150W Active Clamp			
Size	Number	Texas Instruments	Rev
C	PMP5425		A
Date	04-08-2010	Drawn by	B King
Filename	PMP5425_REVA.sch	Sheet	1 of 1