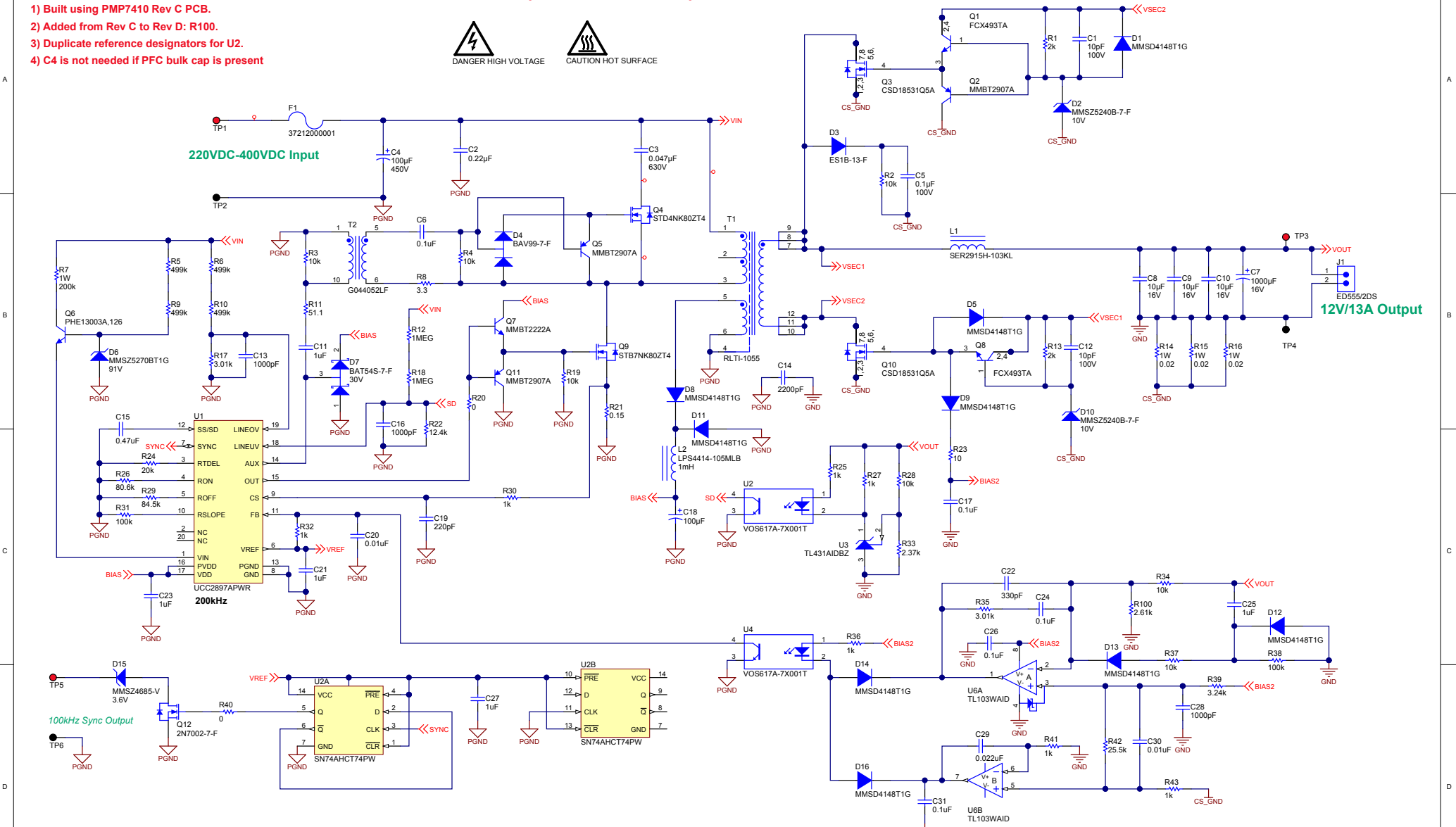


- Assembly Notes:**
- 1) Built using PMP7410 Rev C PCB.
 - 2) Added from Rev C to Rev D: R100.
 - 3) Duplicate reference designators for U2.
 - 4) C4 is not needed if PFC bulk cap is present

Forced Air Flow Required for Sustained Operation at 13A



PCB Number: PMP7410
PCB Rev: C



Texas Instruments and/or its licensors do not warrant the accuracy or completeness of this specification or any information contained therein. Texas Instruments and/or its licensors do not warrant that this design will meet the specifications, will be suitable for your application or fit for any particular purpose, or will operate in an implementation. Texas Instruments and/or its licensors do not warrant that the design is production worthy. You should completely validate and test your design implementation to confirm the system functionality for your application.

Number: PMP7410	Rev: D	Designed for: 220-400VDCin, 12V/160W Active Clamp Forward	Mod. Date: 2/24/2014
SVN Rev: Not in version control	Assembly Variant: 001	Sheet Title:	Project Title: 220-400VDCin, 12V/160W Active Clamp Forward
Drawn By:	File: PMP7410_REV.D_SchDoc	Sheet: 1 of 1	Size: B
Engineer: B King	Contact: http://www.ti.com/support		

