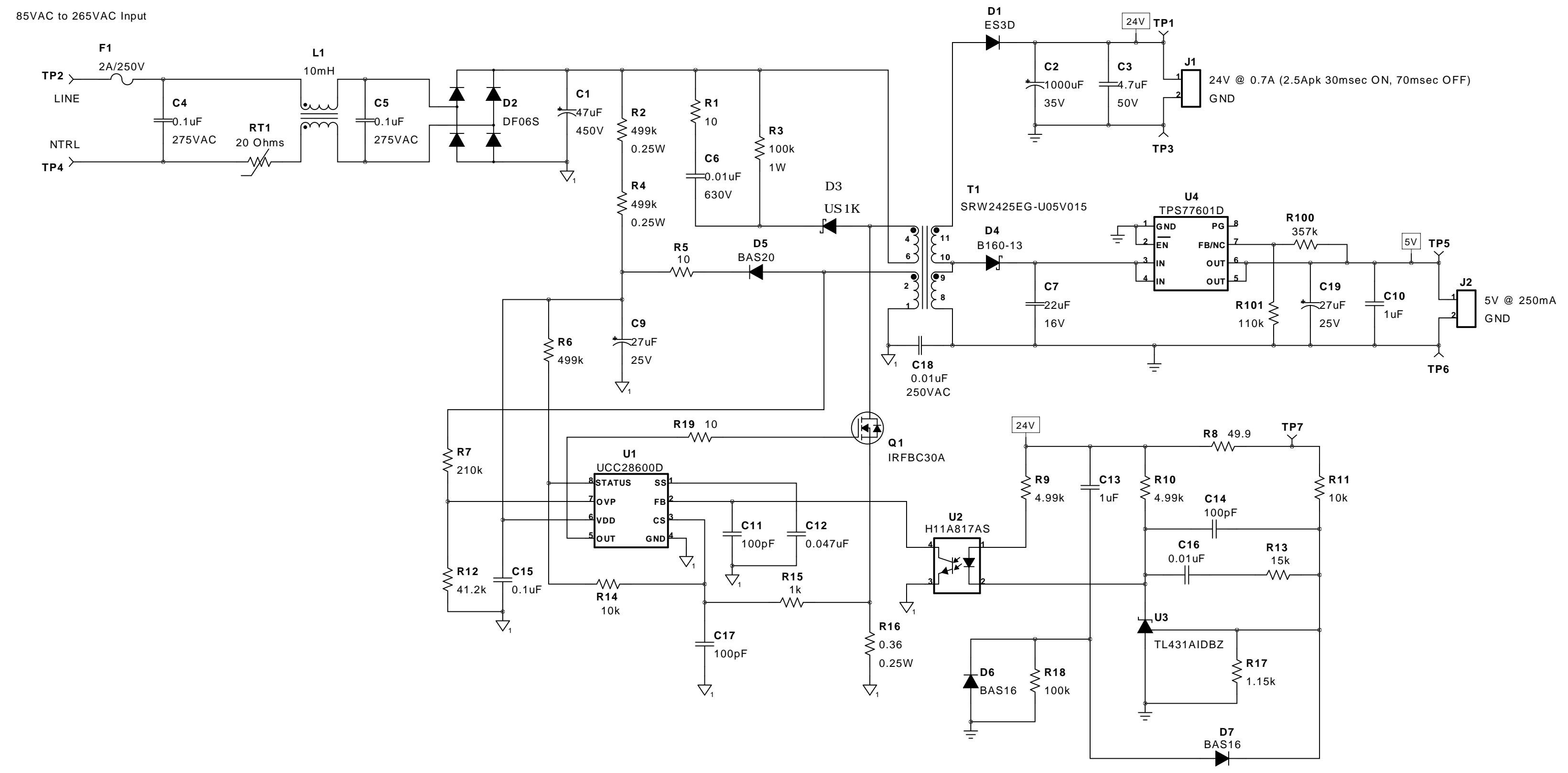


NOTES:  
 1) Built on PMP7148 Rev\_A PWB  
 2) Allow a minimum load of 200mA on 24Vout for 5V regulation  
 3) The pattern for D2 is not correct: place carefully



Title		
85-265VACin to 24V@0.7A, 5V@0.25A, 60Wpeak		
Size	Number	Rev
C	PMP8642	A
Date	7/1/2013	Drawn by R. Scibilia
Filename	PMP5536_Rev_A.SCH	Sheet 1 of 1