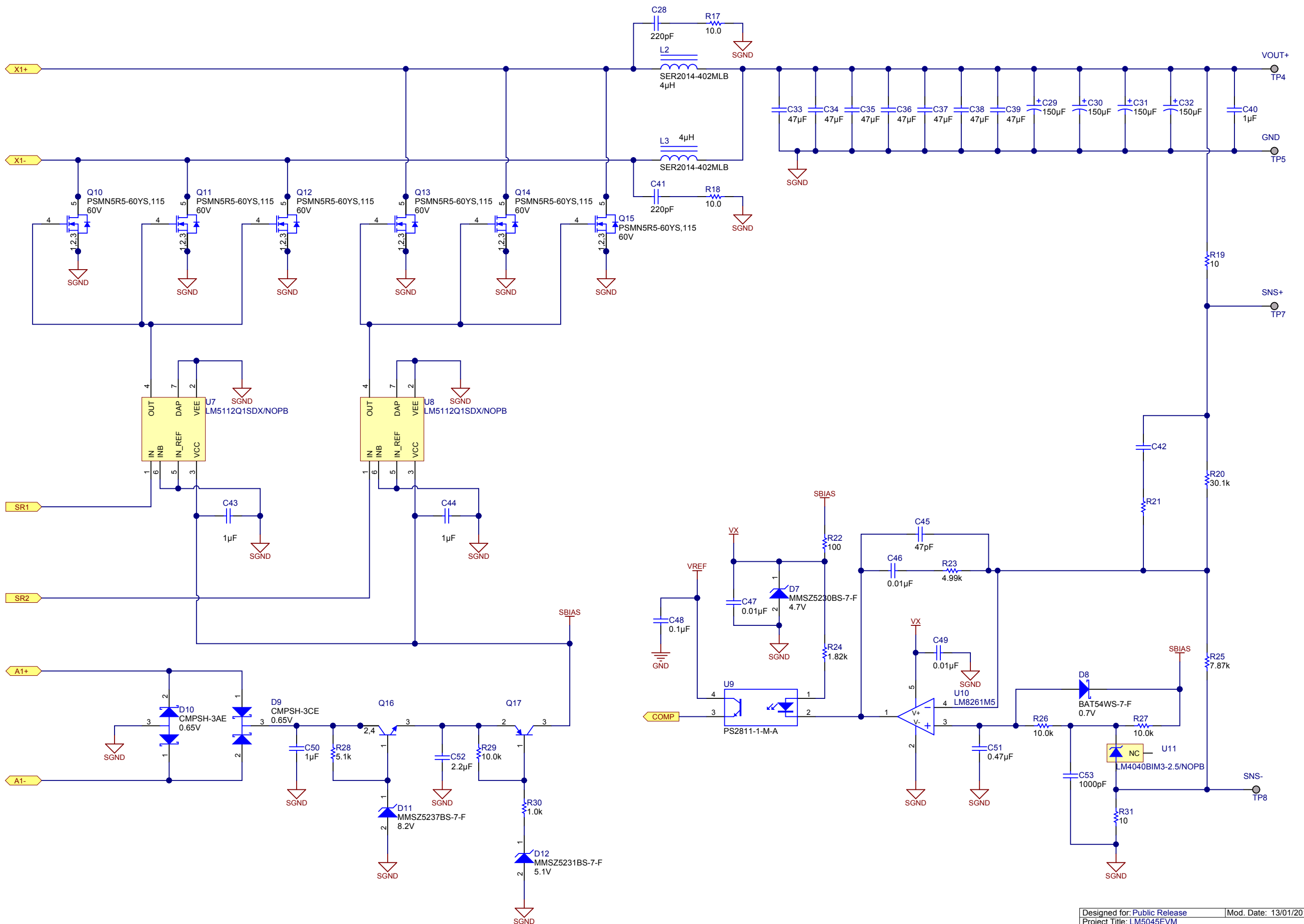


Texas Instruments and/or its licensors do not warrant the accuracy or completeness of this specification or any information contained therein. Texas Instruments and/or its licensors do not warrant that this design will meet the specifications, will be suitable for your application or fit for any particular purpose, or will operate in an implementation. Texas Instruments and/or its licensors do not warrant that the design is production worthy. You should completely validate and test your design implementation to confirm the system functionality for your

Number: PMP9219	Rev: A	Designed for: Public Release	Mod. Date: 13/01/2014
SVN Rev: Not in version control	Sheet Title:	Project Title: LM5045EVm	
Drawn By: John Griffin	File: PMP9219_Sh1.SchDoc	Assembly Variant: [No Variations]	Sheet: 1 of 3
Engineer: John Griffin	Contact: <a href="http://www.ti.com/support">http://www.ti.com/support</a>		Size: B





Texas Instruments and/or its licensors do not warrant the accuracy or completeness of this specification or any information contained therein. Texas Instruments and/or its licensors do not warrant that this design will meet the specifications, will be suitable for your application or fit for any particular purpose, or will operate in an implementation. Texas Instruments and/or its licensors do not warrant that the design is production worthy. You should completely validate and test your design implementation to confirm the system functionality for your

Number: PMP9219	Rev: A	Designed for: Public Release	Mod. Date: 13/01/2014
SVN Rev: Not in version control	Sheet Title:	Project Title: LM5045EVM	
Drawn By: John Griffin	File: PMP9219_Sch2.SchDoc	Assembly Variant: [No Variations]	Sheet: 2 of 3
Engineer: John Griffin	Contact: <a href="http://www.ti.com/support">http://www.ti.com/support</a>	Size: B	



1

2

3

4

5

6

A

A

B

B

C

C

D


D

PCB LOGO  
Texas Instruments

PCB LOGO  
DANGER HIGH VOLTAGE

PCB Number: PMP9219  
PCB Rev: A

Texas Instruments and/or its licensors do not warrant the accuracy or completeness of this specification or any information contained therein. Texas Instruments and/or its licensors do not warrant that this design will meet the specifications, will be suitable for your application or fit for any particular purpose, or will operate in an implementation. Texas Instruments and/or its licensors do not warrant that the design is production worthy. You should completely validate and test your design implementation to confirm the system functionality for your

Designed for: <a href="#">Public Release</a>		Mod. Date: 14/01/2014		 <a href="http://www.ti.com">http://www.ti.com</a> © Texas Instruments 2014
Project Title: LM5045EVM				
Number: <a href="#">PMP9219</a>	Rev: <a href="#">A</a>	Sheet Title:		
SVN Rev: Not in version control	Assembly Variant: <a href="#">[No Variations]</a>	Sheet: <a href="#">3</a> of <a href="#">3</a>		
Drawn By: <a href="#">John Griffin</a>	File: <a href="#">PMP9219_HW.SchDoc</a>	Size: B		
Engineer: <a href="#">John Griffin</a>	Contact: <a href="http://www.ti.com/support">http://www.ti.com/support</a>			

1

2

3

4

5

6