

H1 NY PMS 440 0025 PH H2 NY PMS 440 0025 PH H3 NY PMS 440 0025 PH H4 NY PMS 440 0025 PH

H5 1902C H6 1902C H7 1902C H8 1902C

~~DNP~~ FID1 ~~DNP~~ FID2 ~~DNP~~ FID3

PCB Number: XX####
PCB Rev: E1

PCB
LOGO
Texas Instruments

You should delete the nylon screws/standoffs and/or the bumpers as needed for your design (or substitute other parts from Hardware.IntLib). Bumpers are cheaper, but provide less clearance.

Deleting anything else from this page may result in your EVM submission being rejected (until you add them back).

Update the Label Text in the Label Table as needed for each Assembly Variant.

You can delete this note too.

Label Table	
Variant	Label Text
001	ChangeMe!
002	ChangeMe!

LBL1
PCB Label
Size: 0.65" x 0.20 "

ZZ1
Label Assembly Note
This Assembly Note is for PCB labels only

ZZ2
Assembly Note
These assemblies are ESD sensitive, ESD precautions shall be observed.

ZZ3
Assembly Note
These assemblies must be clean and free from flux and all contaminants. Use of no clean flux is not acceptable.

ZZ4
Assembly Note
These assemblies must comply with workmanship standards IPC-A-610 Class 2, unless otherwise specified.

Texas Instruments and/or its licensors do not warrant the accuracy or completeness of this specification or any information contained therein. Texas Instruments and/or its licensors do not warrant that this design will meet the specifications, will be suitable for your application or fit for any particular purpose, or will operate in an implementation. Texas Instruments and/or its licensors do not warrant that the design is production worthy. You should completely validate and test your design implementation to confirm the system functionality for your application.

Number: XX####	Rev: E1	Designed for: Public Release	Mod. Date: 3/11/2014
SVN Rev: Not in version control	Assembly Variant: 001	Project Title: Change in menu Project Project Options Parameter	Sheet Title:
Drawn By:	File: PMP9379 Hardware_ANSI-B_SchDoc	Sheet: 1 of 1	Size: B
Engineer: Enter name of project lead	Contact: http://www.ti.com/support		



© Texas Instruments 2014

Revision History	
Revision	Notes

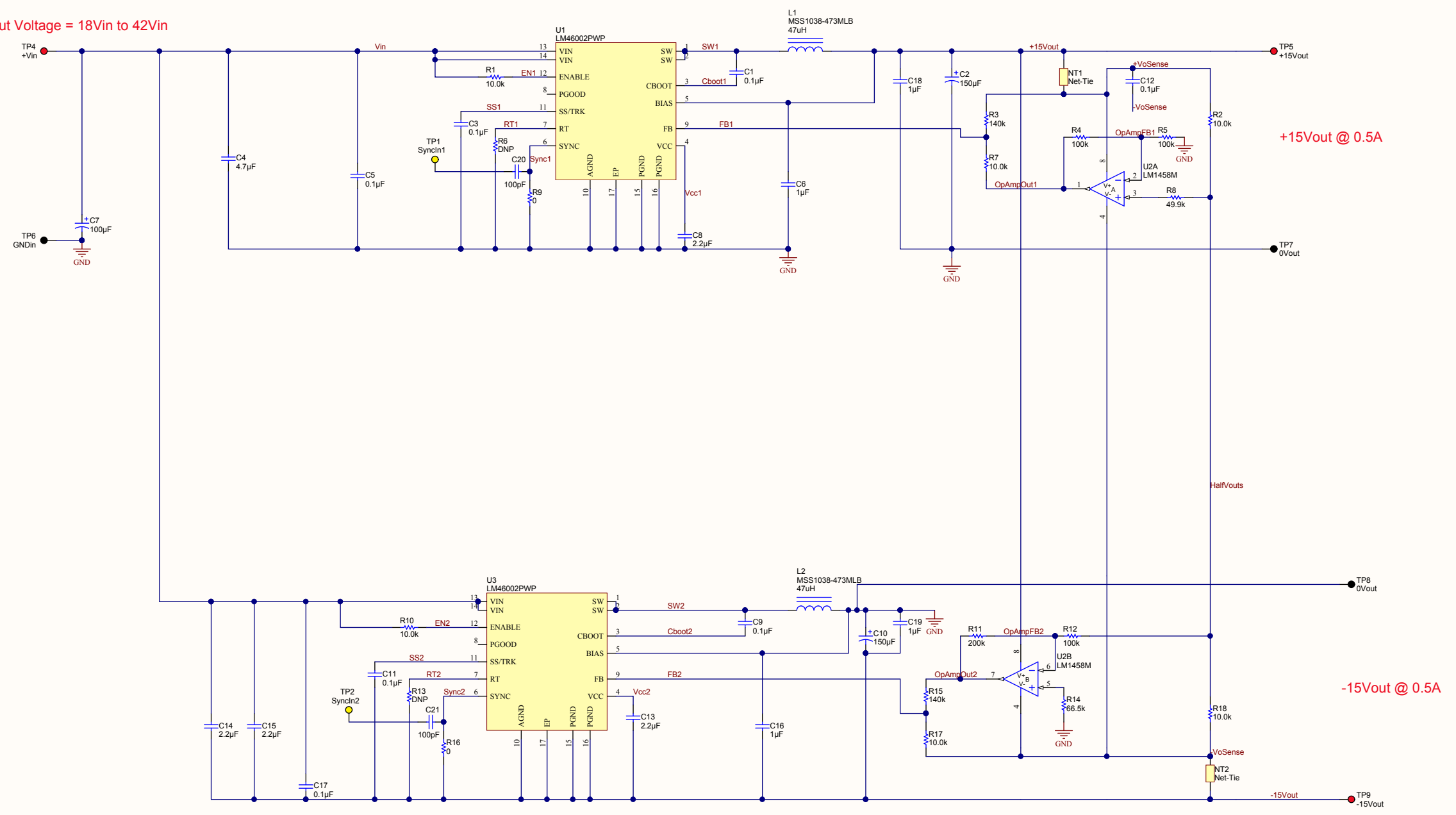
Place Block Diagram here (if appropriate) or delete this text box.
 If using a block diagram from another tool, save the picture as a .bmp file.
 Then, use menu Place|Drawing Tools|Graphic to insert the .bmp file on the schematic.

Texas Instruments and/or its licensors do not warrant the accuracy or completeness of this specification or any information contained therein. Texas Instruments and/or its licensors do not warrant that this design will meet the specifications, will be suitable for your application or fit for any particular purpose, or will operate in an implementation. Texas Instruments and/or its licensors do not warrant that the design is production worthy. You should completely validate and test your design implementation to confirm the system functionality for your application.

Number: XX####	Rev: E1	Designed for: Public Release	Mod. Date: 3/11/2014
SVN Rev: Not in version control	Assembly Variant: 001	Project Title: Change in menu Project Project Options Parameter	Sheet: 1 of 1
Drawn By:	File: PMP9379_Cover Sheet_ANSI-B_SchDoc	Size: B	Sheet Title:
Engineer: Enter name of project lead	Contact: http://www.ti.com/support		



Input Voltage = 18Vin to 42Vin



Title		
Size	Number	Revision
C		
Date:	3/13/2014	Sheet of
File:	C:\Users\JPMP9379\Schematic Rev2.Sch	Down By: