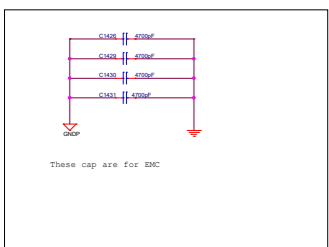
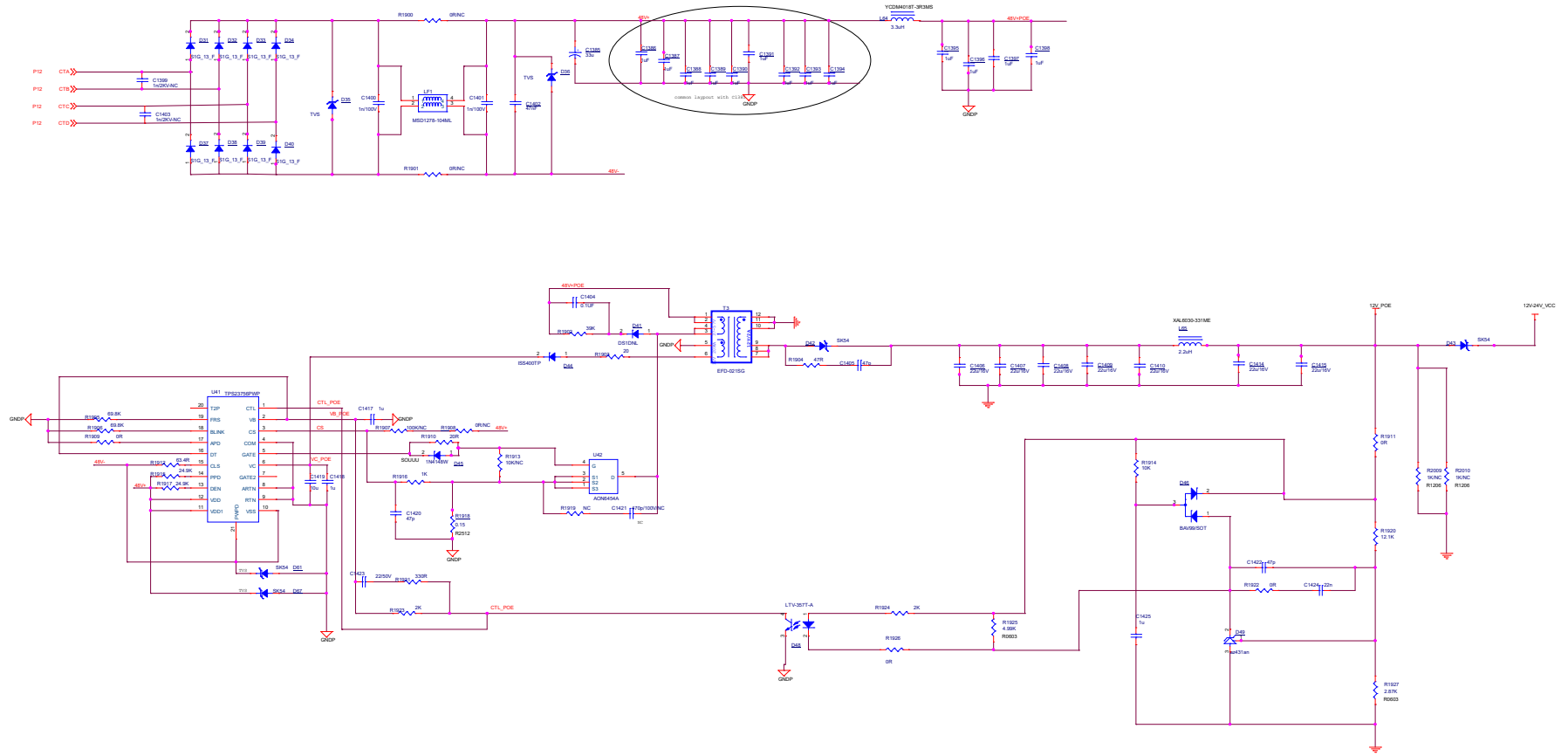


POE FLYBACK MODE



Rev	<Rev>	
D	Document Number	17
0	000 for Release	
Date	Friday, April 05, 2013	Sheet 08 of 17