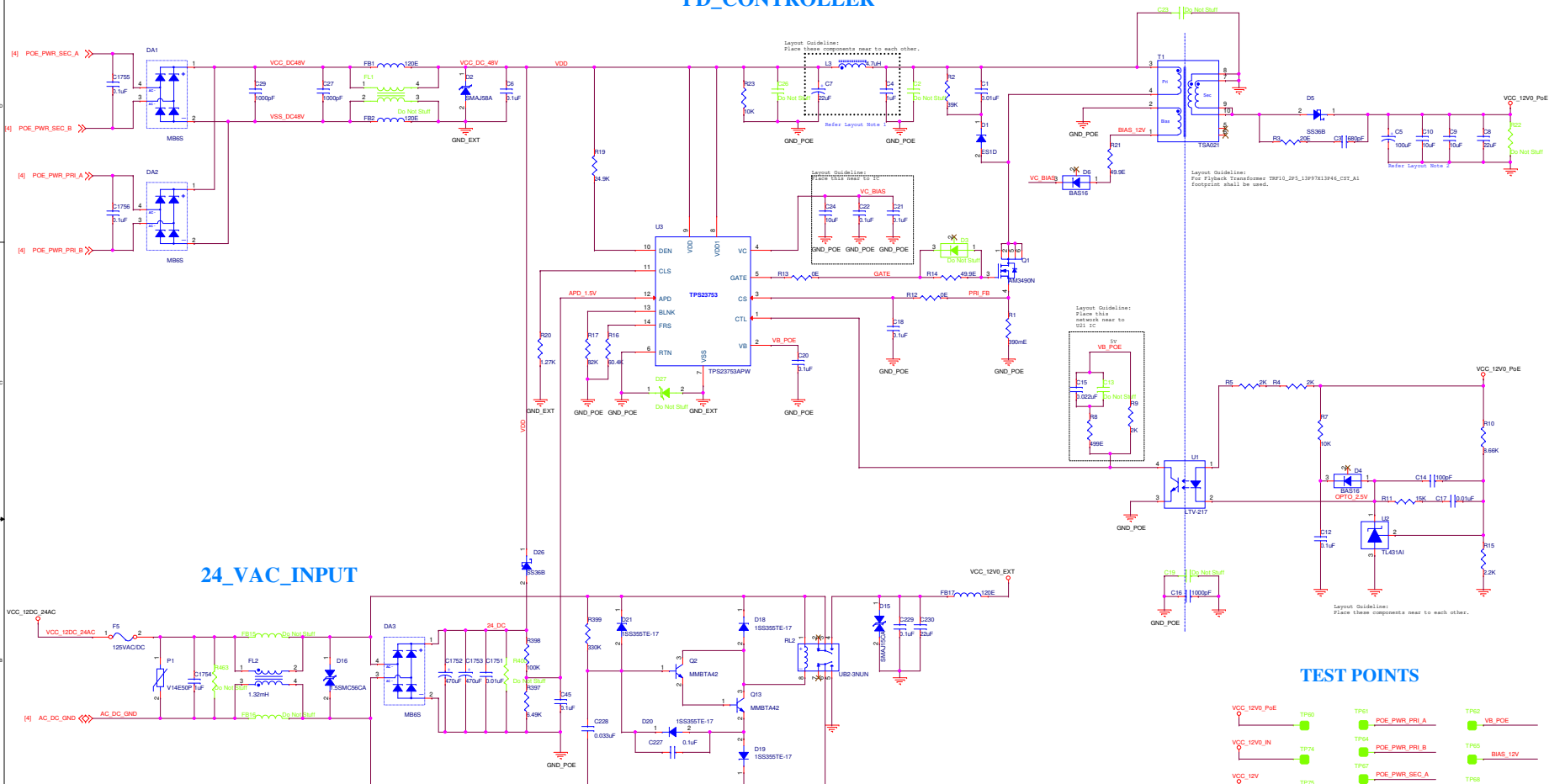


# PD\_CONTROLLER



## 24\_VAC\_INPUT

$$APD = (1 + (R1/R2)) * V_S$$

$$R1 = 100K \quad R2 = 6.49K \quad V_S = 24V$$

$$APD = (1 + (100K/6.49K)) * 24$$

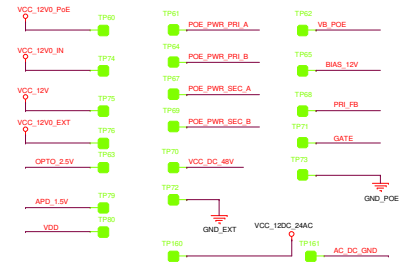
$$APD = 1.463V$$

Net name	Voltage and Current rating	EN	PoE Flyback alternate
VCC_DC48V	37-57V @ 0.7A (max)	105-2-00001	POE13P-12L (Coil craft)
VCC_12V	12V @ 2A (max)	105-2-00125	PM3812T (SDAPO)
		105-2-00124	LP2289 (Link PP)
		105-2-00126	XF1276A-EPI3S (XFMR)
		105-2-00127	TS-A021 (TNK)

Layout Note 1  
Add common footprint for Q873 for following  
1. 00P1200000000  
2. 00P1200000000  
3. 00P1200000000

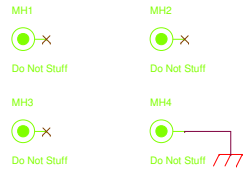
Layout Note 2  
Add common footprint for Q877 for following  
1. 00P1200000000  
2. 00P1200000000  
3. 00P1200000000

## TEST POINTS



# MISCELLANEOUS


## Mounting\_Hole



## Fiducials



POE ALARM BOARD

	A3	Title : MISCELLANEOUS	
	Fab No : 501-1-03211		Rev: A0_01
	Asy No : 701-1-04025		Sheet 7 of 7