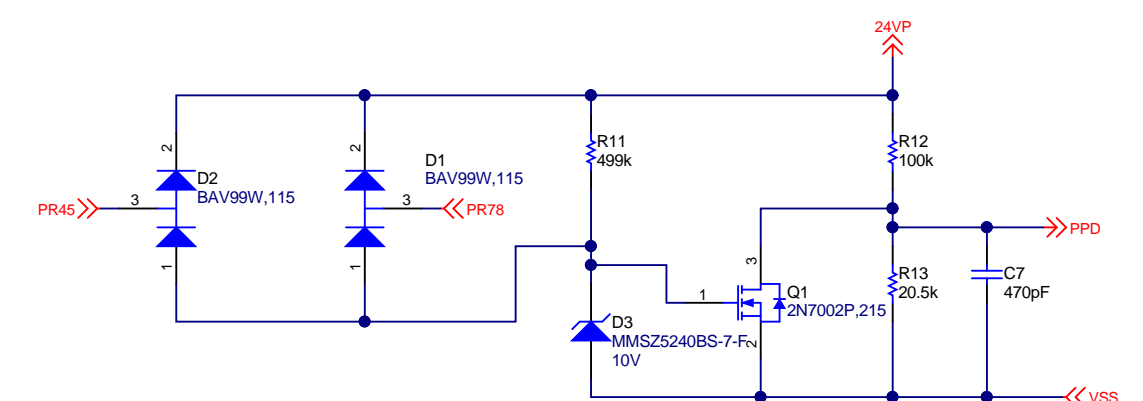
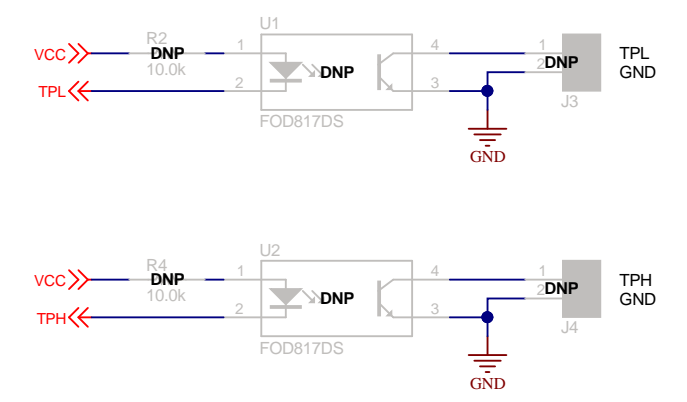
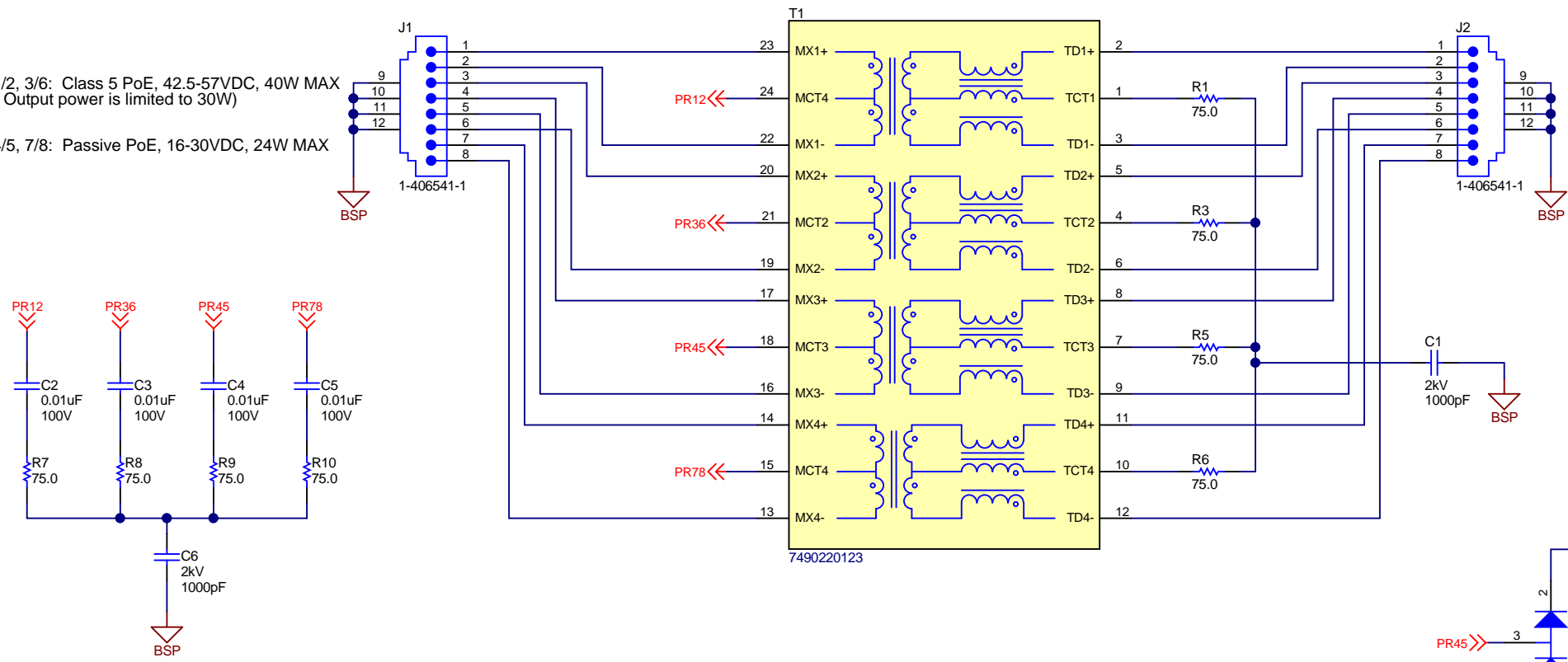
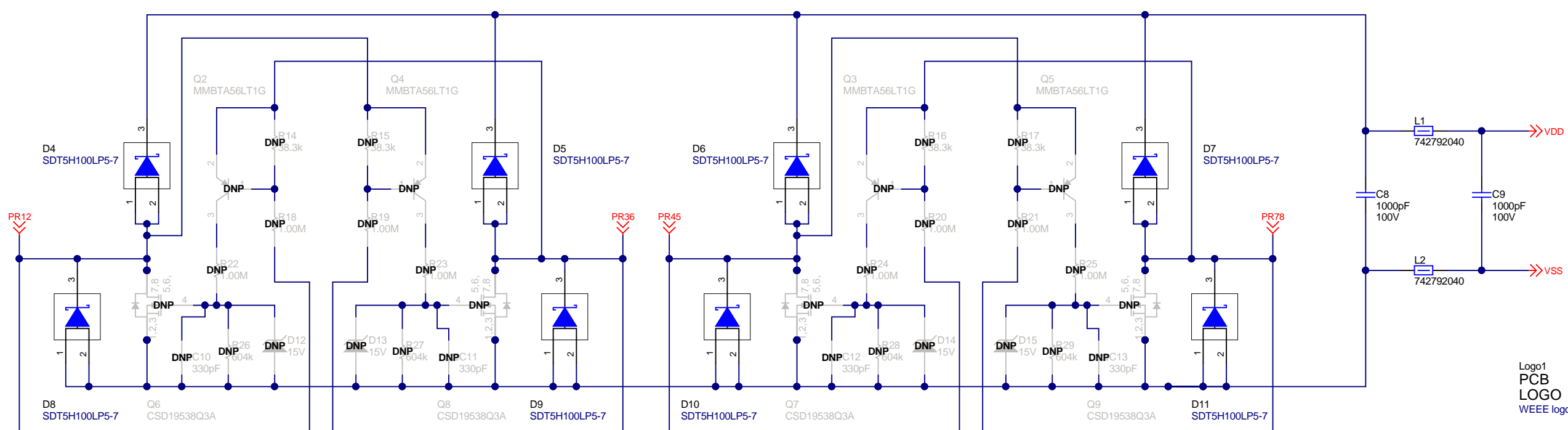


Pairs 1/2, 3/6: Class 5 PoE, 42.5-57VDC, 40W MAX
(Note: Output power is limited to 30W)

Pairs 4/5, 7/8: Passive PoE, 16-30VDC, 24W MAX



Activate PPD at 16.0V input (14.7V at 24VP)
Deactivate PPD at 13.0V input (11.7V at 24VP)

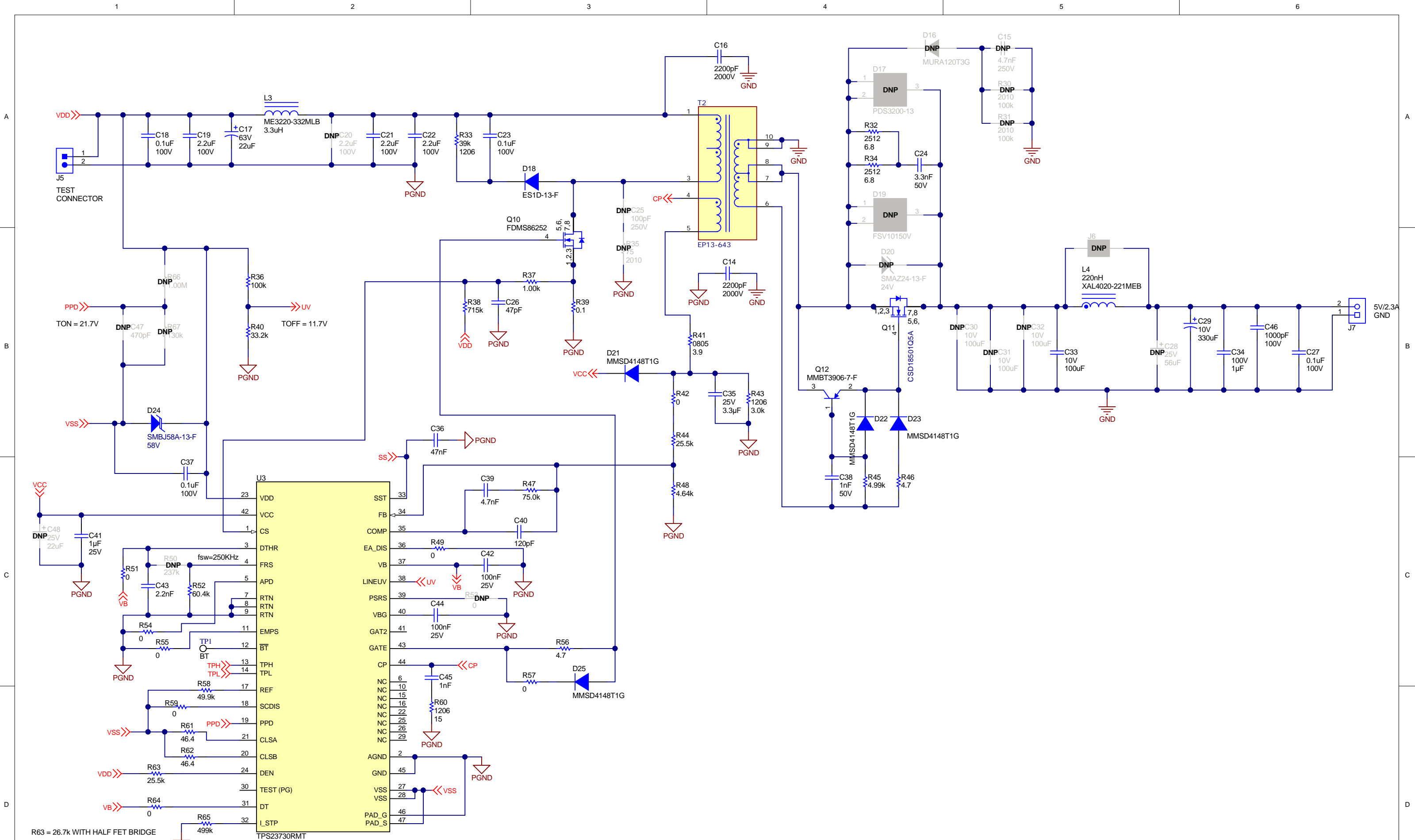


Logo1 PCB LOGO WEEE logo
Logo2 PCB LOGO FCC disclaimer

Texas Instruments and/or its licensors do not warrant the accuracy or completeness of this specification or any information contained therein. Texas Instruments and/or its licensors do not warrant that this design will meet the specifications, will be suitable for your application or fit for any particular purpose, or will operate in an implementation. Texas Instruments and/or its licensors do not warrant that the design is production worthy. You should completely validate and test your design implementation to confirm the system functionality for your application.

Orderable: No	Designed for: Public Release	Mod. Date: 7/20/2020
TID #: N/A	Project Title: Class 3 PoE/Passive 16V Input Converter	
Number: PR2414	Rev: E1	Sheet Title: PoE/Passive 24V Input
SVN Rev: Not in version control	Assembly Variant: 5V_13W	Sheet: 1 of 2
Drawn By: D Strasser	File: PR2414_RevE1_SH1.SchDoc	Size: B
Engineer: D. Fernandez	Contact: N/A	

TEXAS INSTRUMENTS
http://www.ti.com
© Texas Instruments 2020



Texas Instruments and/or its licensors do not warrant the accuracy or completeness of this specification or any information contained therein. Texas Instruments and/or its licensors do not warrant that this design will meet the specifications, will be suitable for your application or fit for any particular purpose, or will operate in an implementation. Texas Instruments and/or its licensors do not warrant that the design is production worthy. You should completely validate and test your design implementation to confirm the system functionality for your application.

Orderable: No	Designed for: Public Release	Mod. Date: 7/26/2020
TID #: N/A	Project Title: Class 3 PoE/Passive 16V Input Converter	
Number: PR2414	Rev: E1	Sheet Title: PD/Flyback Converter
SVN Rev: Not in version control	Assembly Variant: 5V_13W	Sheet: 2 of 2
Drawn By: D Strasser	File: PR2414_RevE1_SH2.SchDoc	Size: B
Engineer: D. Fernandez	Contact: N/A	

