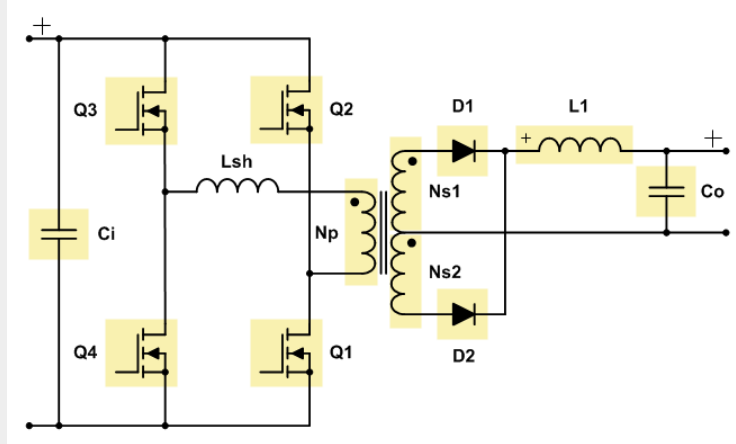


Design Values

- Minimum Input Voltage: V
- Maximum Input Voltage: V
- Output Voltage: V
- Output Current: A
- Switching Frequency: kHz
- Diode Voltage Drop: V
- Inductor Current Ripple: %
- Maximum Duty Cycle: %
- FET Output Capacitance: pF



Recommended Values

- Turns Ratio: 0.22 : 1
- Transformer Inductance: 3.29 μ H
- Inductance: 52.39 μ H
- Shim Inductance: 0.00 μ H

Choose Values

- Turns Ratio: : 1
- Transformer Inductance: μ H
- Inductance: μ H

Calculated Values at Input Voltage:

24.00 V

- Period: 7.69 μ s
- Duty Cycle: 66.76 %
- On-Time: 3.85 μ s
- Off-Time: 3.85 μ s
- Phase-Shift-Time: 1.28 μ s
- Input Power: 560.70 W
- Output Power: 560.00 W
- Rectifier Diode Losses: 0.70 W

Load Current:

7.00 A

- L_{sec} : 75.00 μ H
- Mag. Current: 20.54 A
- Input Current: 23.36 A
- Current Ripple: 1.51 A
- 21.52 %

[Info](#)

[Check TIDesigns™ Reference Design Library](#)



