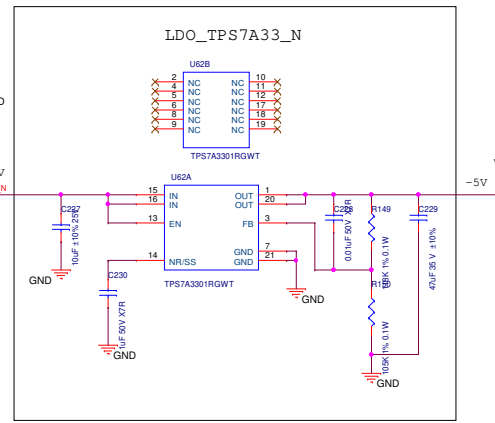
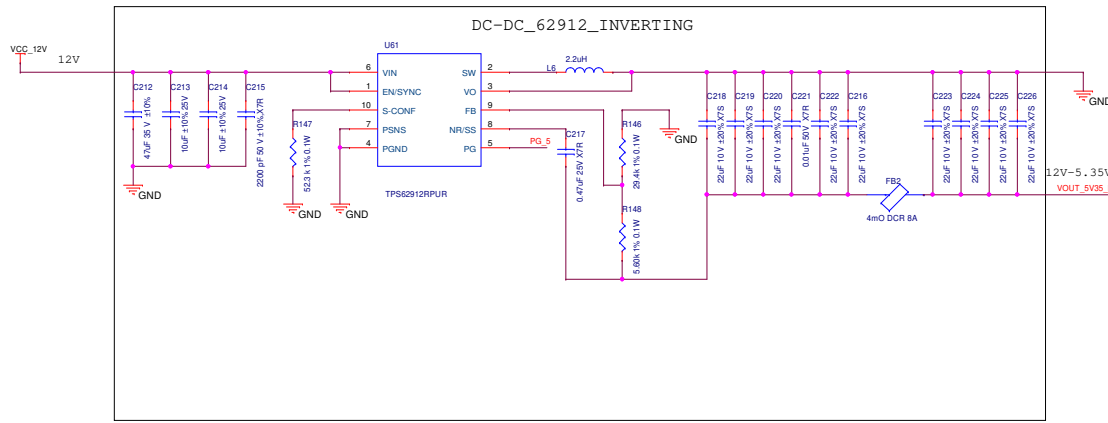
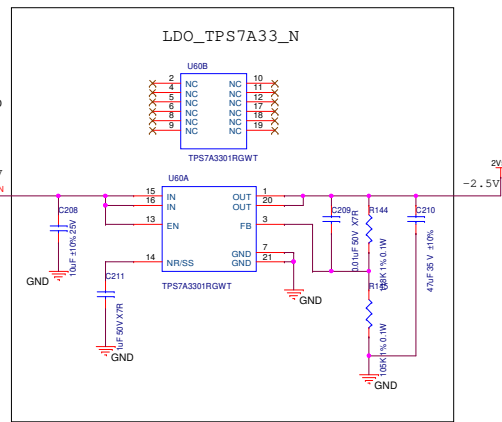
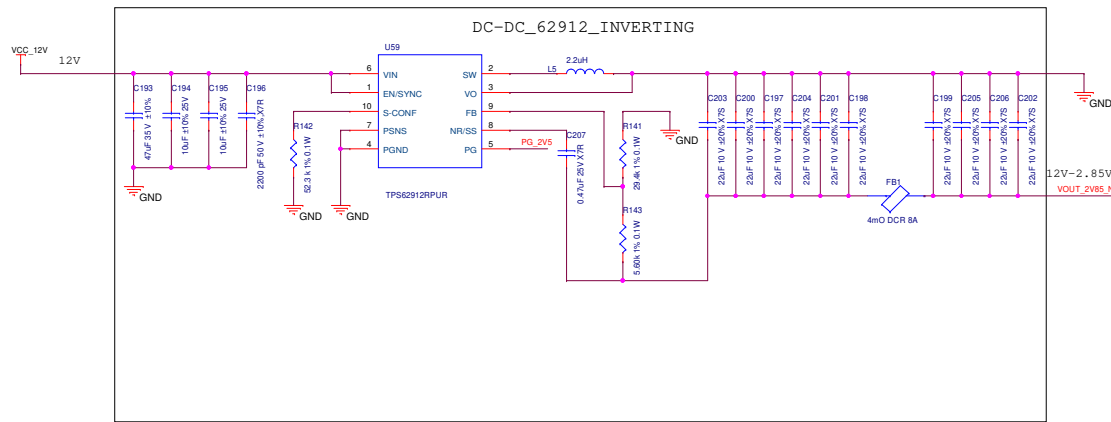
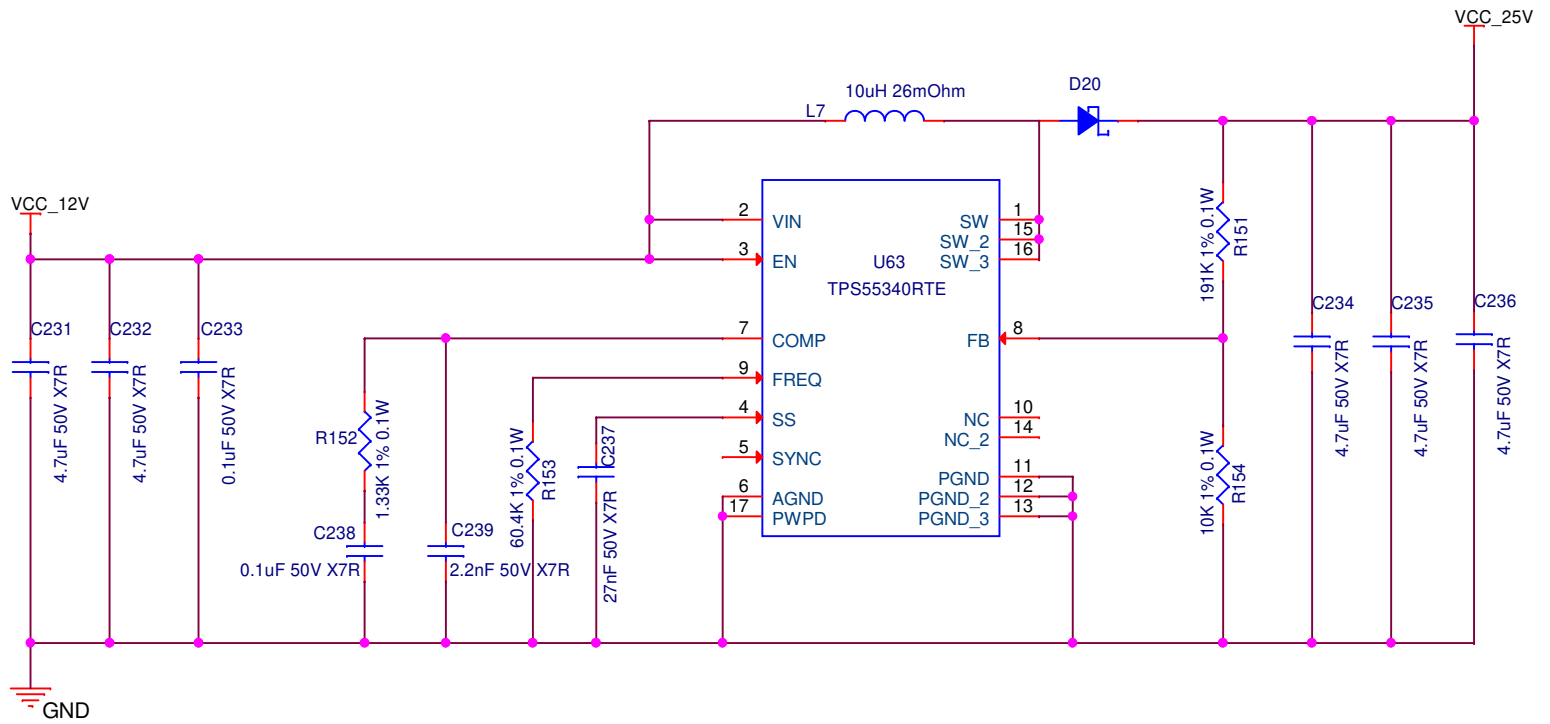


File	<Title>	Rev
Size	Document Number	<Doc>
Date	Monday, June 28, 2023	Sheet 8 of 10



File	<Title>	Rev
Size	Document Number	<Doc>
Date	Monday, June 28, 2023	Sheet 9 of 10



Title		
<Title>		
Size	Document Number	Rev
A	<Doc>	<Rev C>
Date:	Monday, June 26, 2023	Sheet 10 of 10