

Note: Pull up for VDD_CORE_SMB_ALERT_1 added near processor side

Note: Zero load line mode

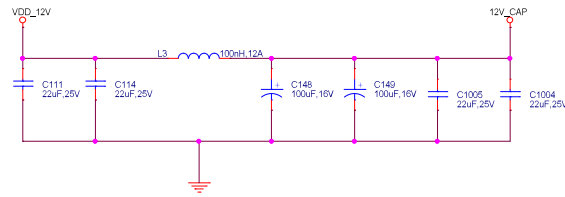
Note: SMBus address 0b1100100

Do Not Solder DEPOP

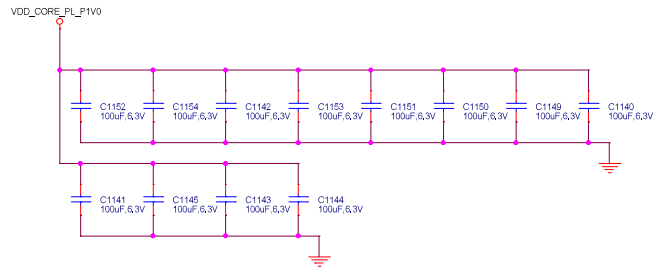
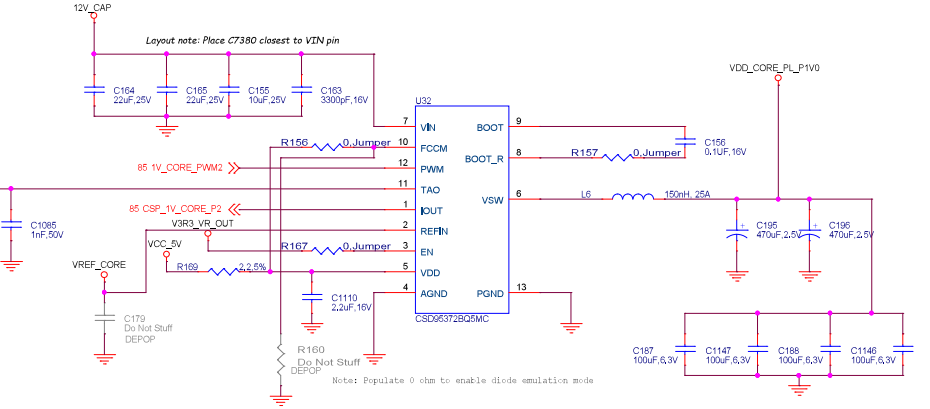
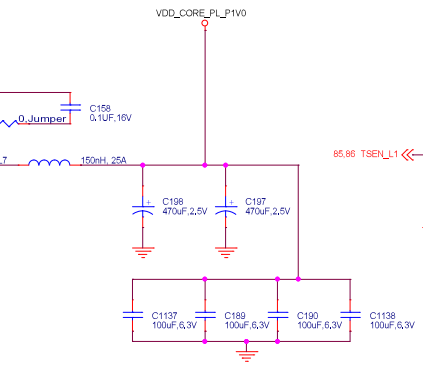
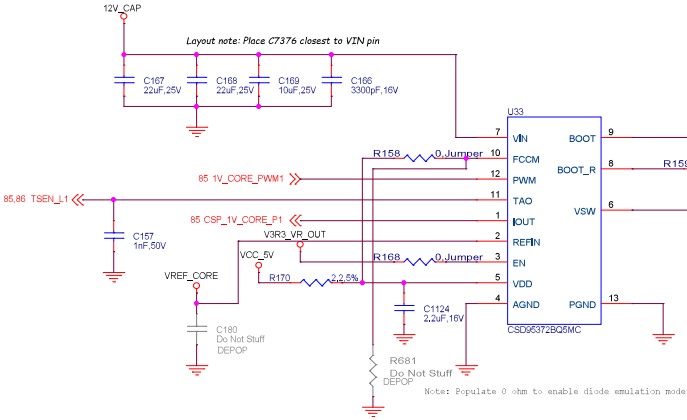
CORE PWR CONTROLLER

Title PEACOCK	
Size C	Document Number 80-00074-01
Date: Thursday, July 12, 2018	Sheet 85 of 95

Rev 0.1



Estimated Max current: 43.30 A



Title		PEACOCK
Size	Document Number	Rev
C	80-00274-01	0.1
Date:	Thursday, July 12, 2018	Sheet 86 of 95

1V CORE